

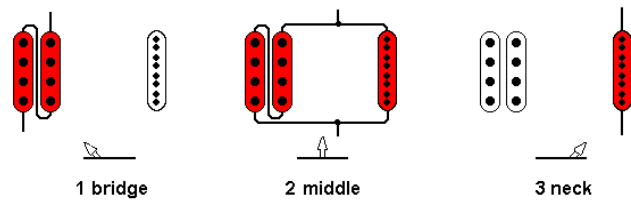
MJ: Ein Humbucker und ein Singlecoil

Circuit MJ1

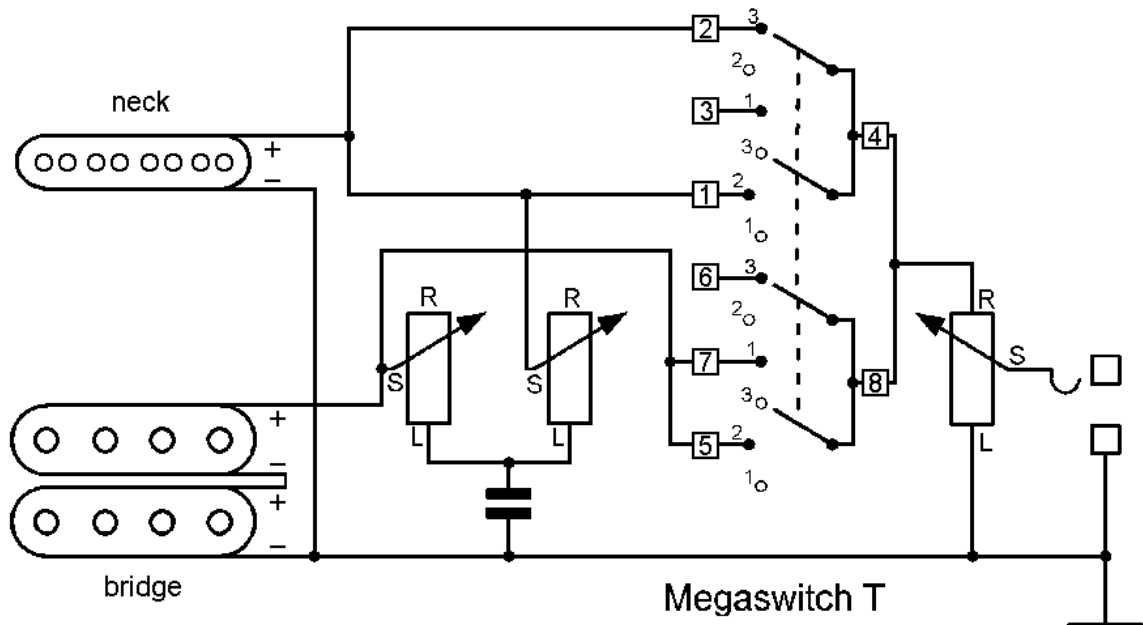
There are electric basses with a mix of a humbucker and a single coil, with the humbucker usually sitting in the bridge position. The simplest circuit for this offers the following options

1. Bridge humbucker,
2. Bridge humbucker and neck parallel
3. Neck

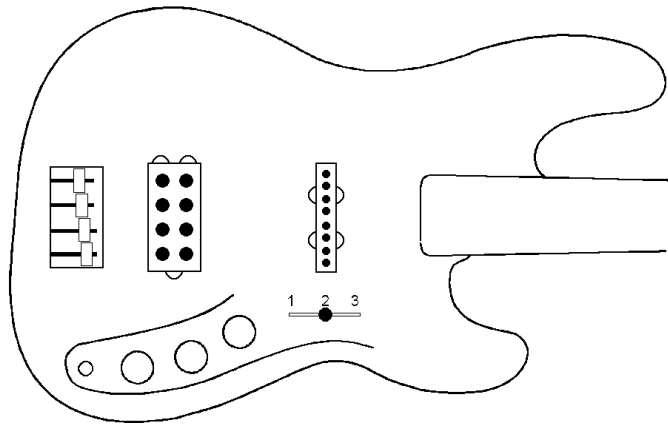
Switching functions



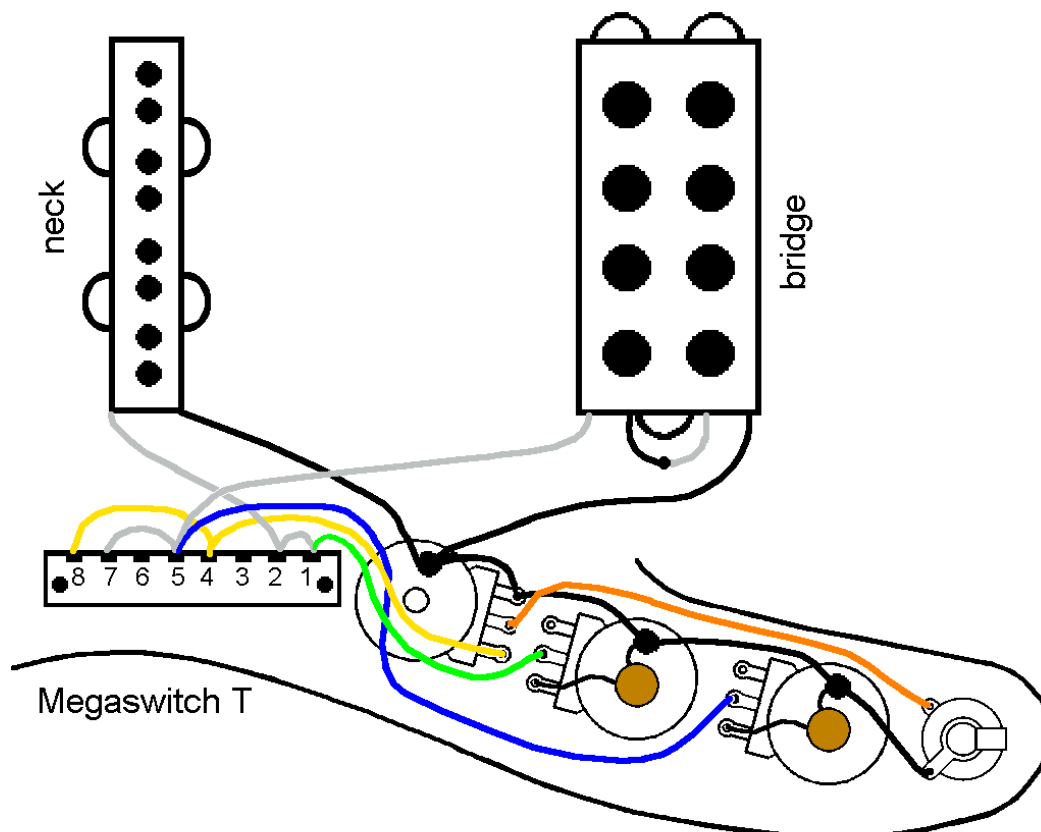
Electrical switching principle



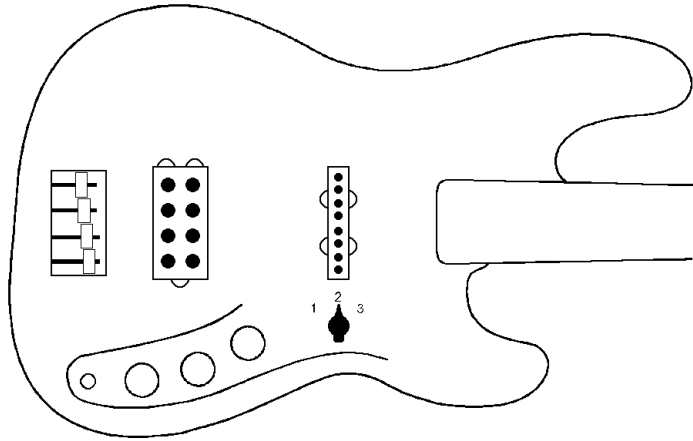
Bass with Megaswitch T, three potentiometers



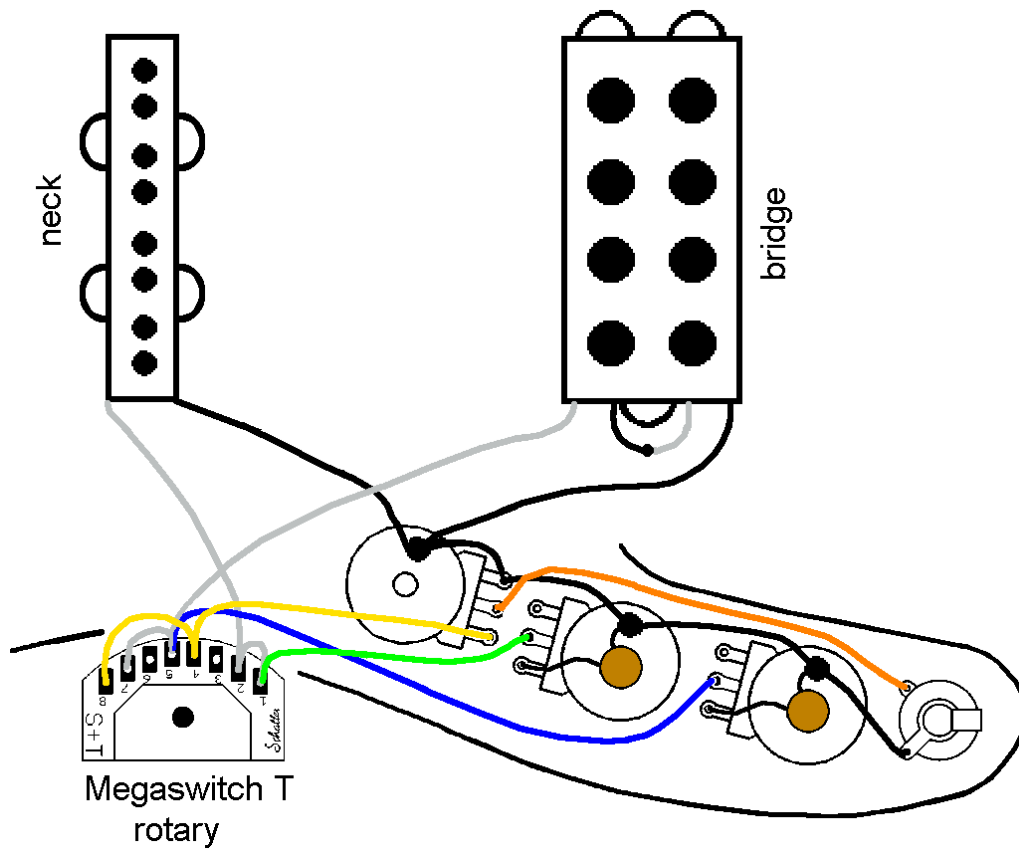
Wiring diagram with Megaswitch T



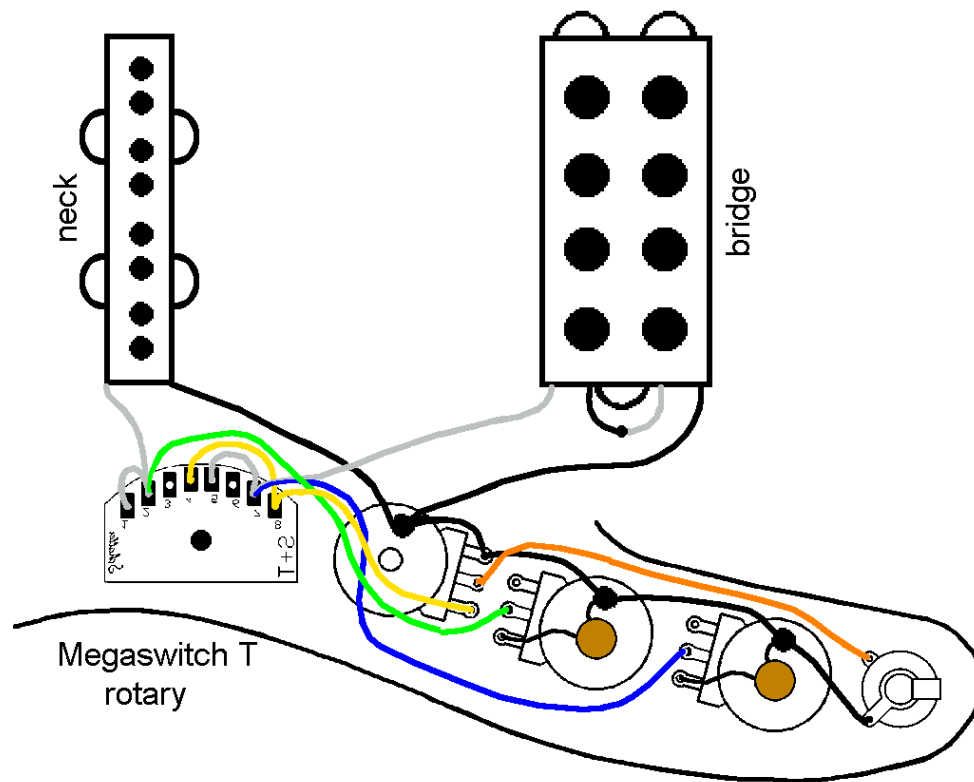
Bass with Megaswitch T rotary switch, three potentiometers



Connection of the rotary switch before installation



Wiring after installing the rotary switch



Connections:

position

1 bridge

2 both in parallel

3 neck

connections

1, 2 hot connector neck and tone control neck grinder

3-

4, 8 volume regulator right connection

5, 7 hot connector bridge and tone control bridge wiper

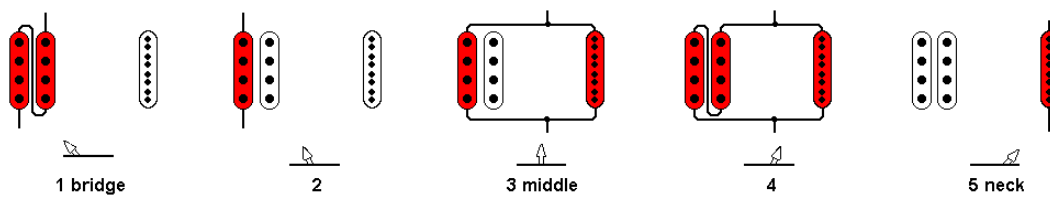
6-

Circuit MJ2

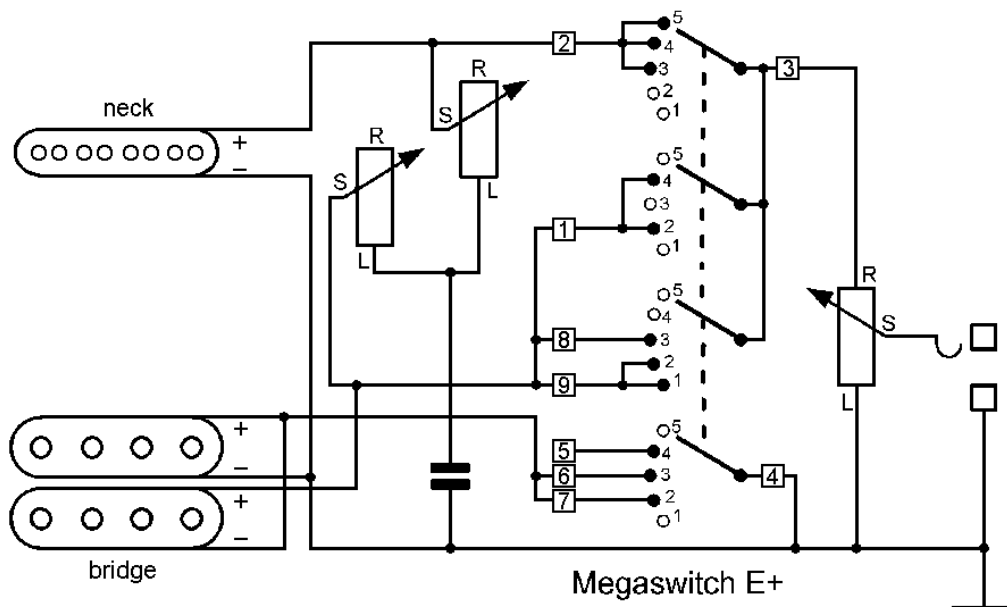
With a total of three coils, a Megaswitch E+ enables five different combinations:

1. Bridge humbucker
2. Bridge SC outer coil
3. Bridge SC outer coil and neck parallel
4. Bridge humbucker and neck parallel
5. Neck

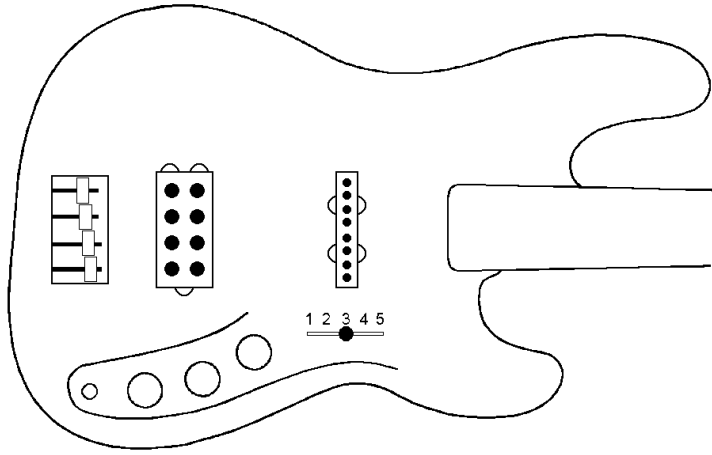
Switching functions



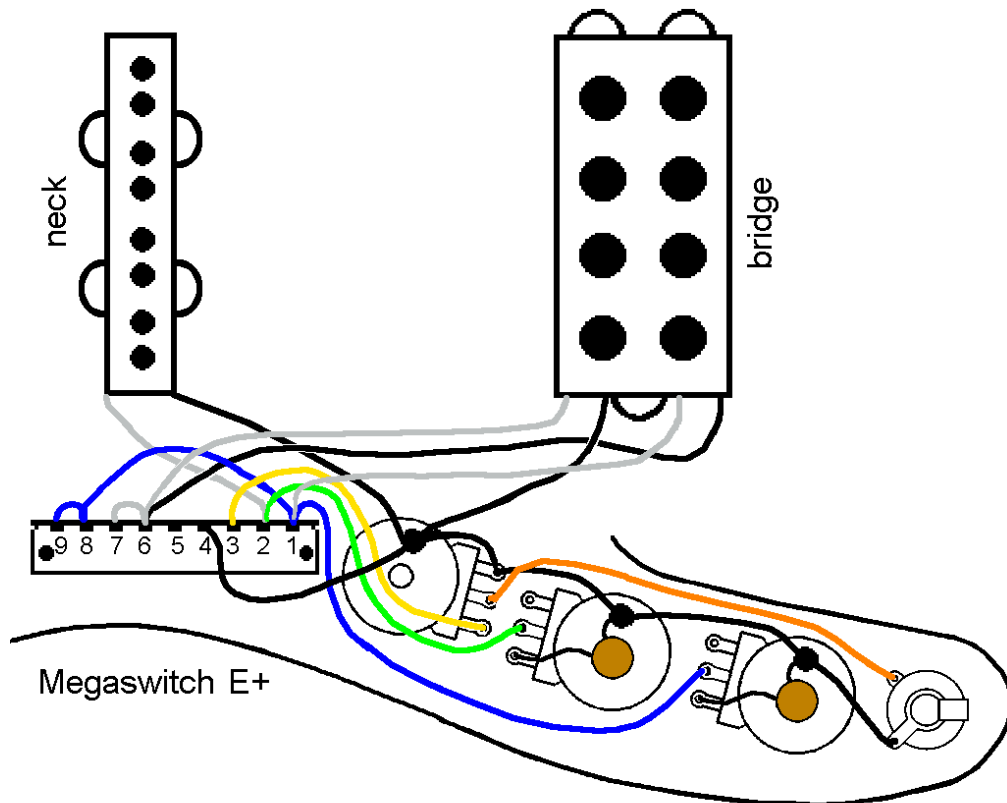
Electrical switching principle



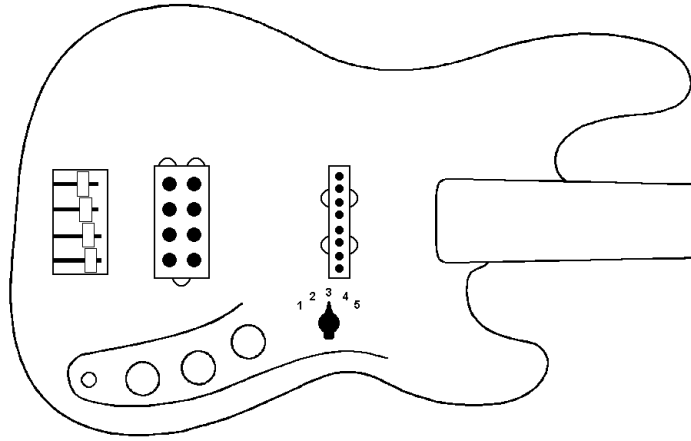
Bass with Megaswitch E+, three potentiometers



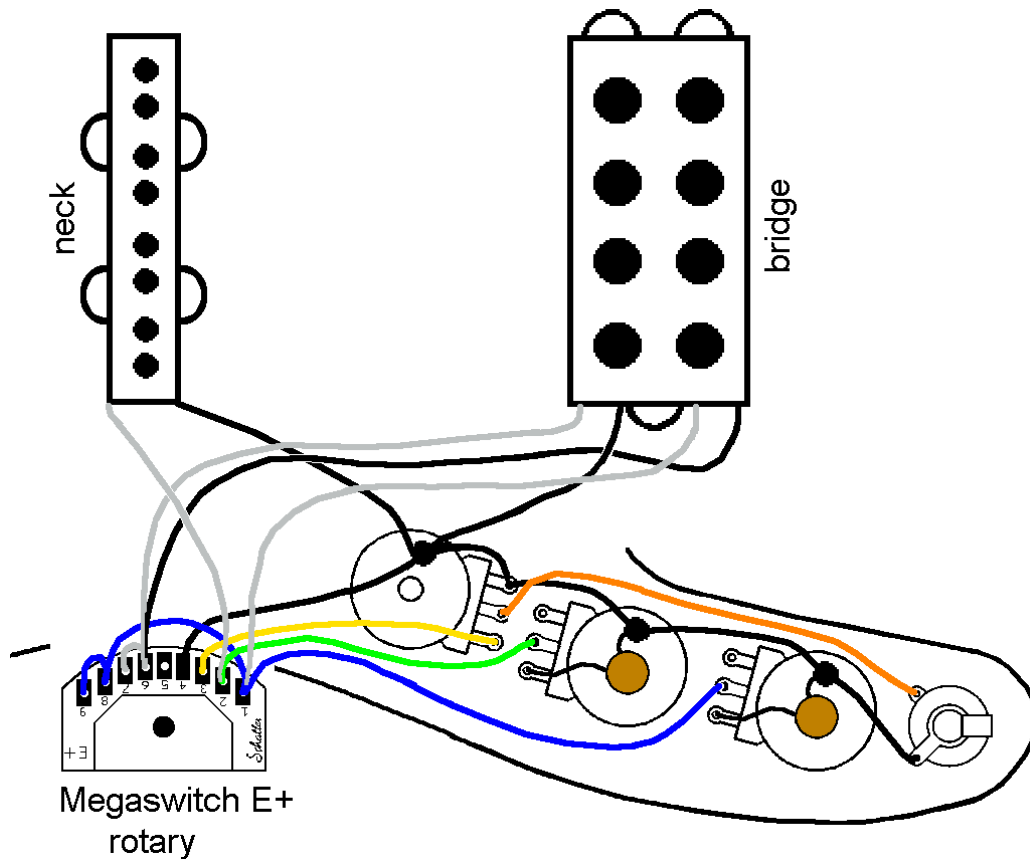
Wiring diagram with Megaswitch E+



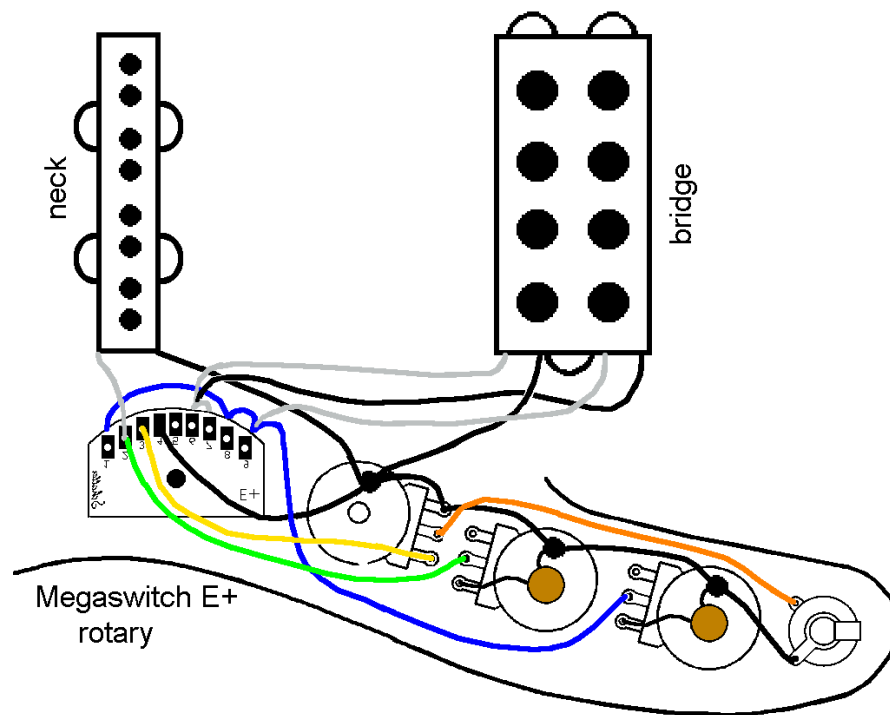
Bass with Megaswitch E+ rotary switch, three potentiometers



Connection of the rotary switch before installation



Wiring after installing the rotary switch



Connections:

position

1 bridge humbucker

2 bridge outer coil

3 bridge outer coil and neck parallel

4 bridge humbucker and neck parallel

5 neck

connections

1, 8, 9 hot connector bridge outer coil and tone control bridge wiper

2 hot connector neck and tone control neck grinder

3 Volume regulator right connection

4 mass

5-

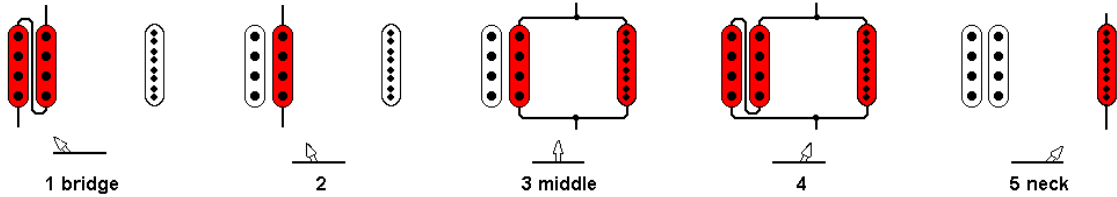
6.7 hot connection bar inner coil

Circuit MJ3

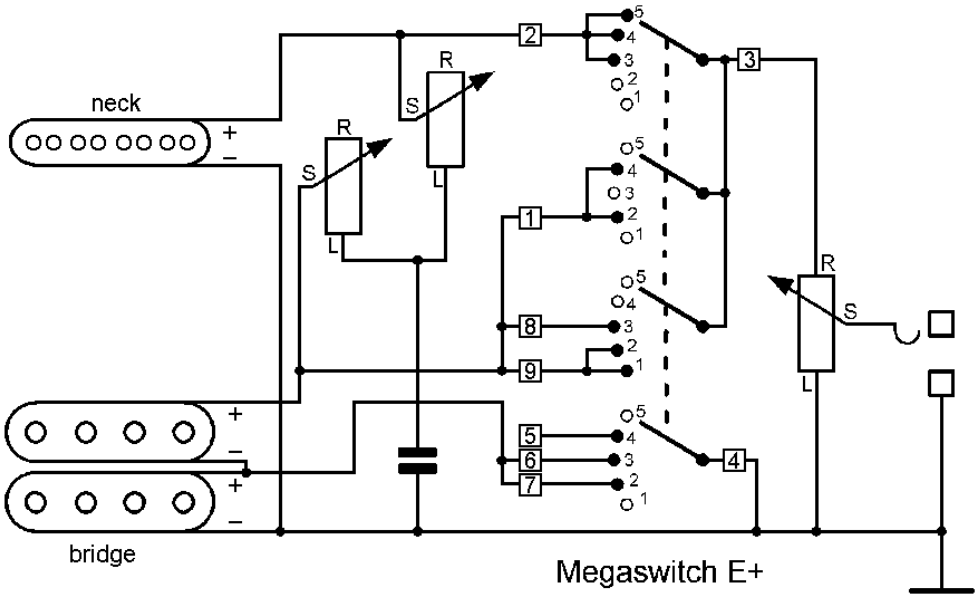
This is a modification of the MJ2 circuit. In positions 2 and 3, the neck-side coil of the humbucker is active here.

- 1. Bridge humbucker
- 2. Bridge SC inner coil
- 3. Bridge SC (inner coil) and neck parallel
- 4. Bridge humbucker and neck parallel
- 5. Neck

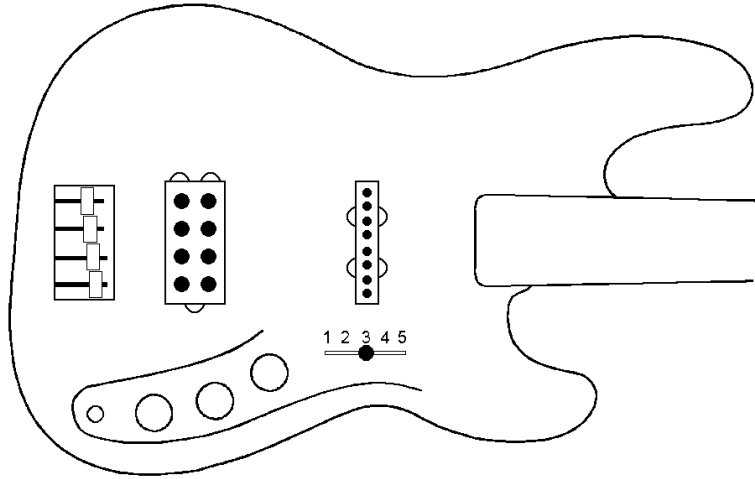
Switching functions



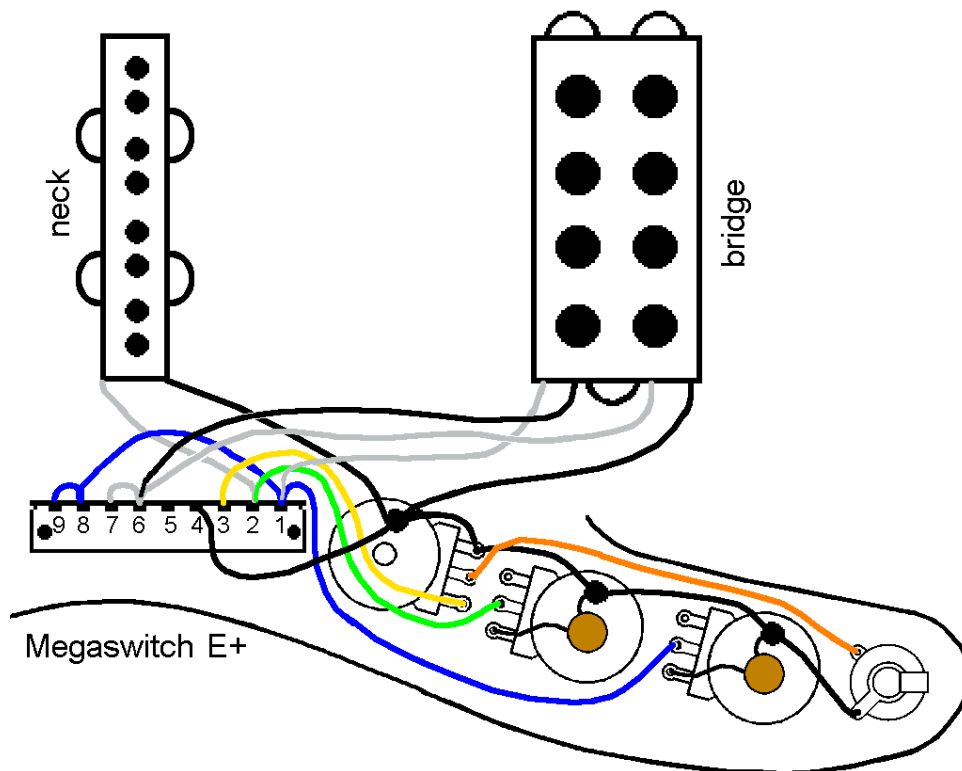
Electrical switching principle



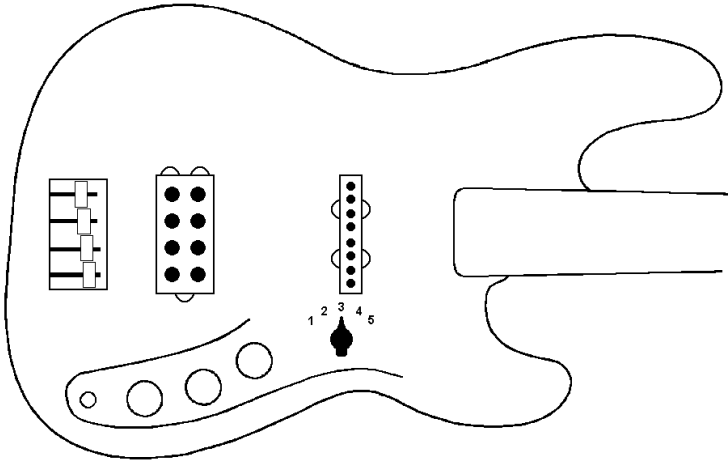
Bass with megaswitch, three potentiometers



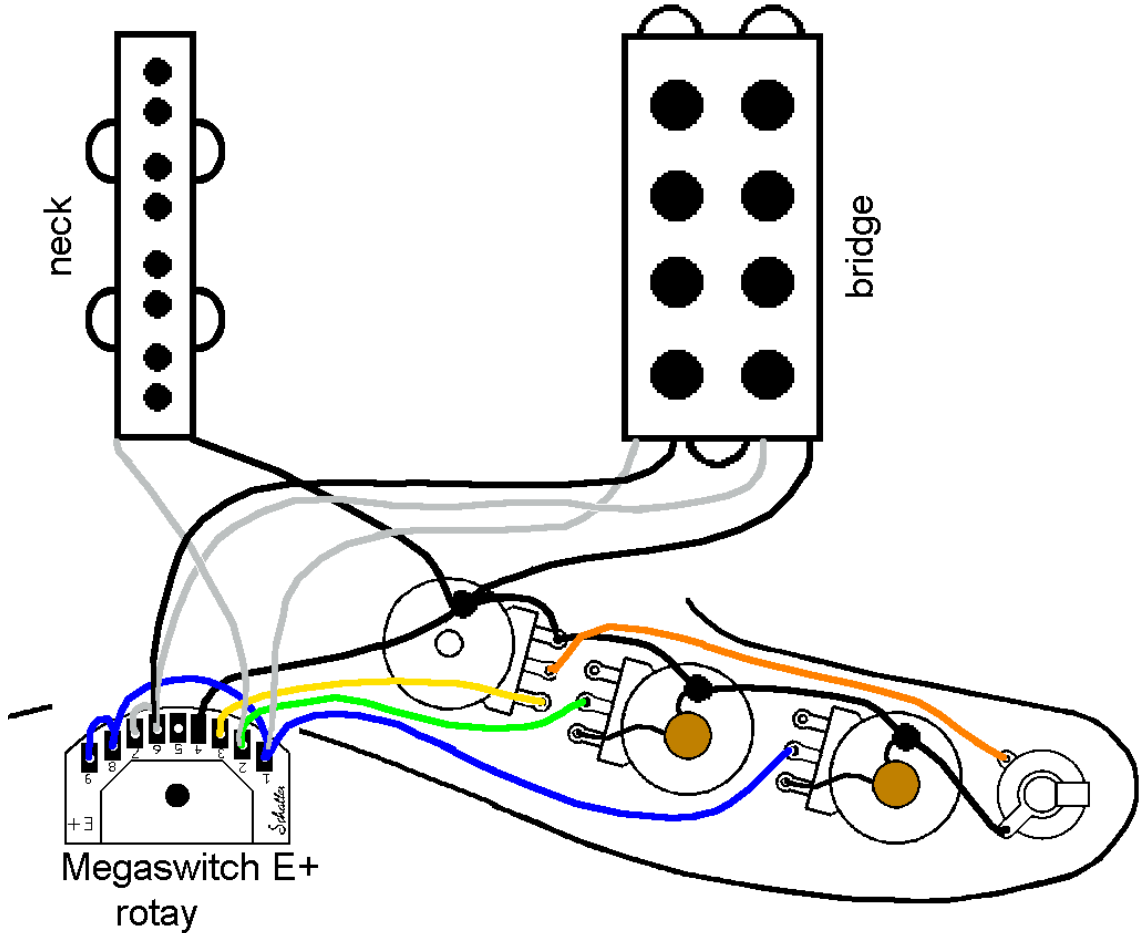
Wiring diagram with Megaswitch E+



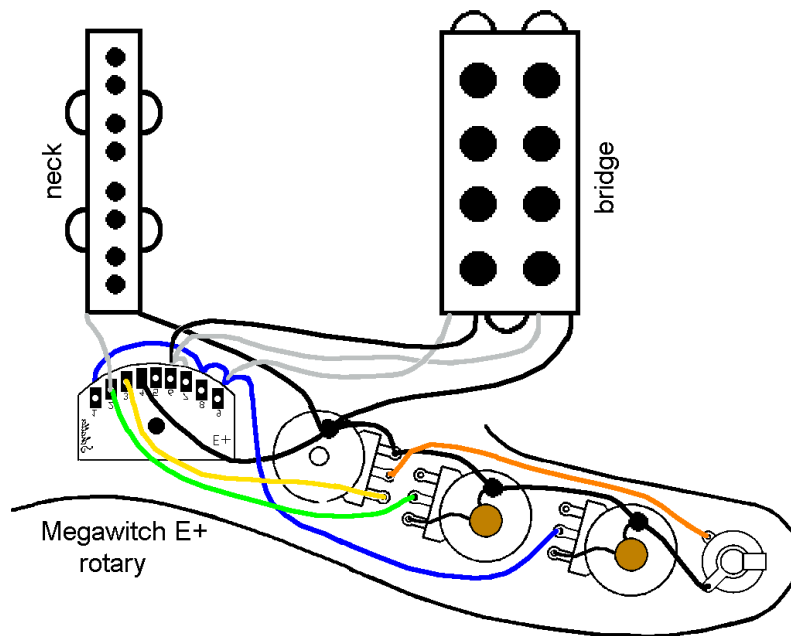
Bass with Megaswitch E+ rotary switch, three potentiometers



Connection of the rotary switch before installation



Wiring after installing the rotary switch



Connections:

position

1 bridge humbucker

2 bridge inner coil

3 bridge inner coil and neck parallel

4 bridge humbucker and neck parallel

5 neck

connections

1, 8, 9 hot connector bridge inner coil and tone control bridge wiper

2 hot connector neck and tone control neck grinder

3 Volume regulator right connection

4 mass

5-

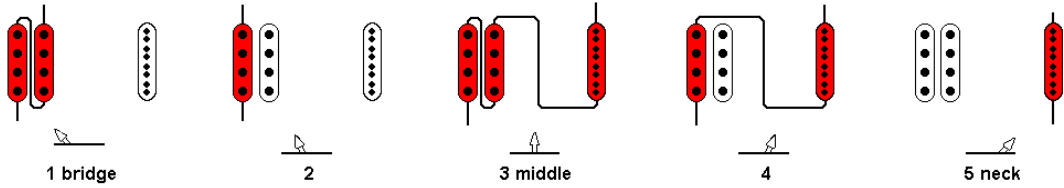
6,7 hot connection bridge outer coil

Circuit MJ4

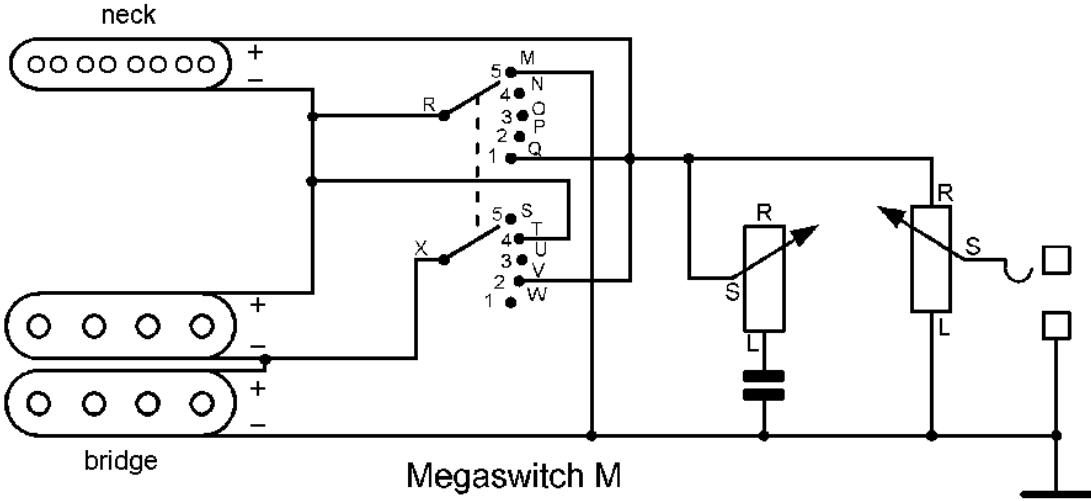
This circuit enables the pickups to be connected in series in positions 3 and 4, which increases the bass and mids and reduces the highs.

1. Bridge humbucker
2. Bridge single coil outer coil
3. Bridge humbucker and neck in series
4. Bridge single coil outer coil and neck in series
5. Neck

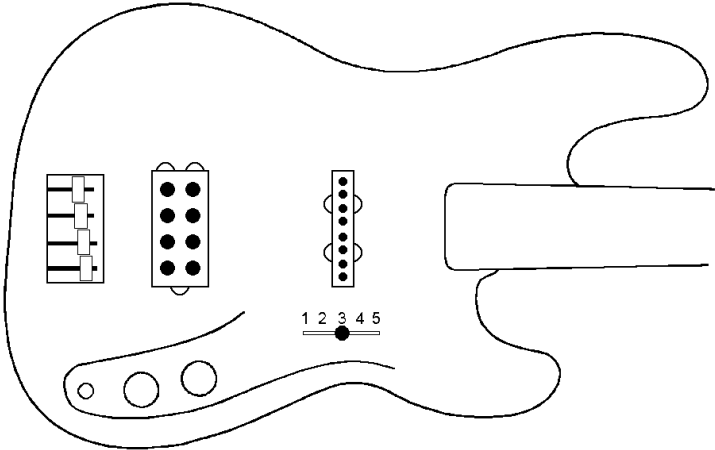
Switching functions



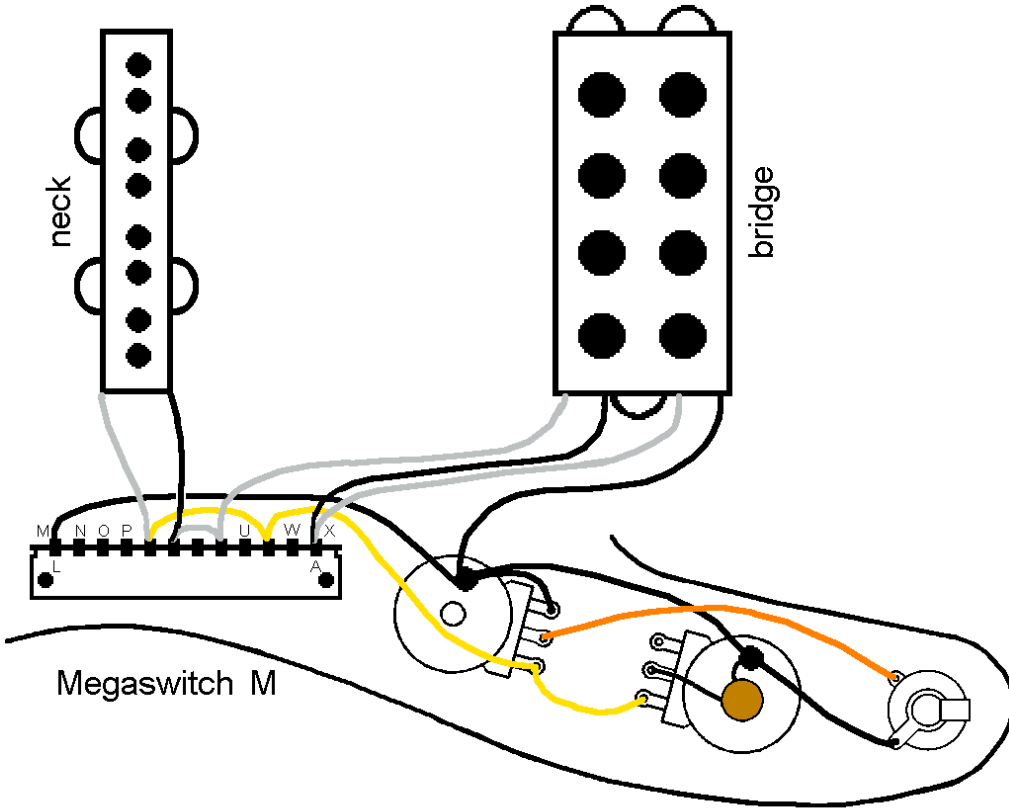
Electrical switching principle



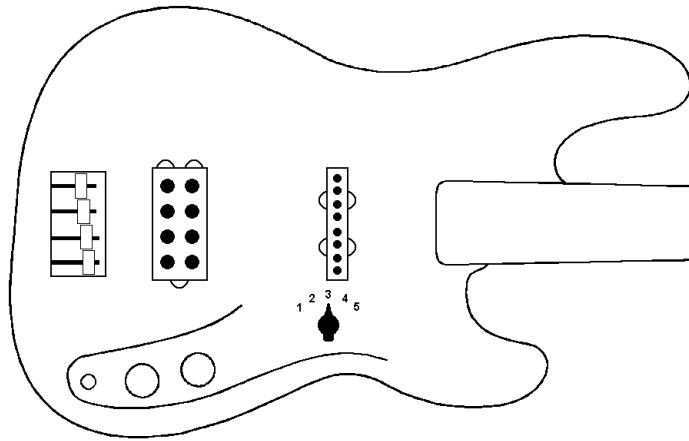
Bass with Megaswitch M rotary switch, two potentiometers



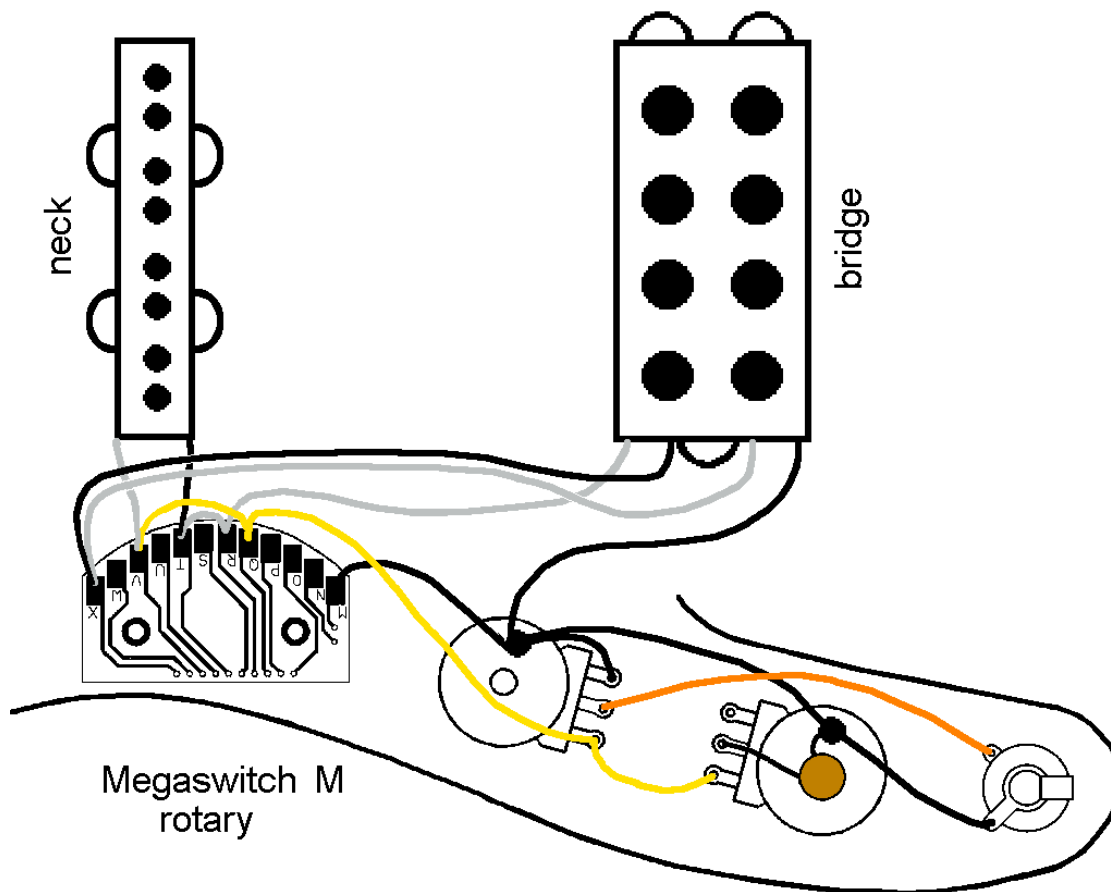
Wiring diagram with Megaswitch M



Bass with Megaswitch M rotary switch, two potentiometers



Wiring after installing the rotary switch



Connections:

position

1 bridge humbucker

2 bridge outer coil

3 bridge humbucker and neck in series

4 bridge outer coil and neck in series

5 neck

connections

A ... L-

M mass

N, O, P-

Q, V hot connection neck, volume control right connection and tone control slider

R, T hot connection bridge inner coil and cold connection neck

S, U, W-

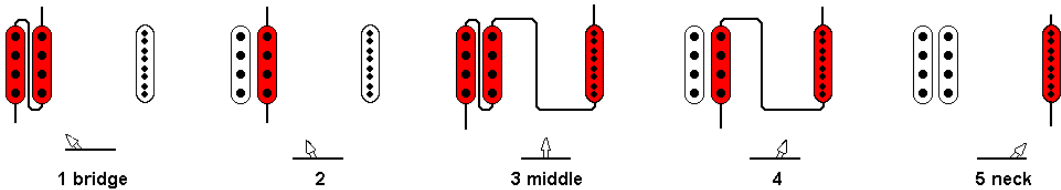
X hot connection bar outer coil and cold connection bar inner coil

Circuit MJ5

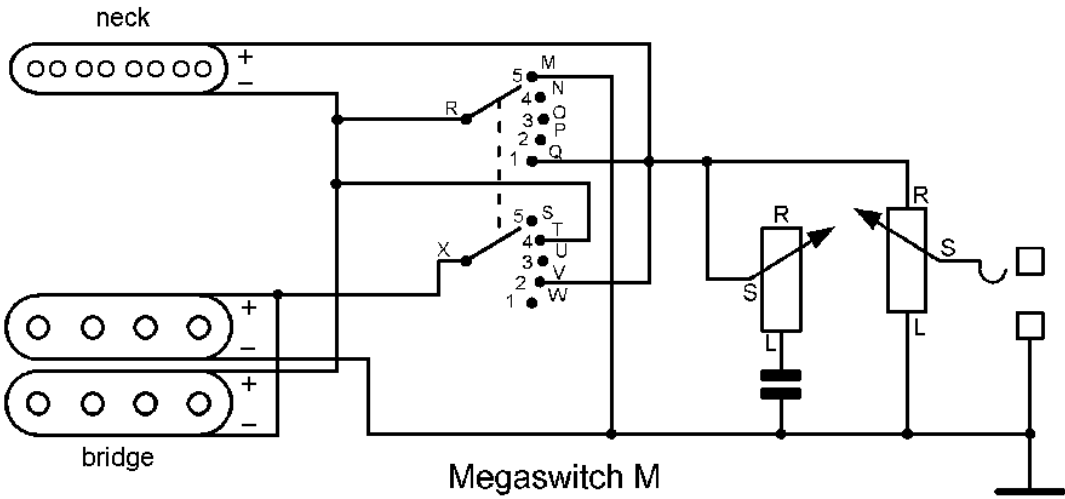
This is a modification of the MJ4 circuit. In positions 2 and 4, the inner coil of the humbucker is active here.

- 1. Bridge humbucker
- 2. Bridge SC inner coil
- 3. Bridge humbucker and neck in series
- 4. Bridge SC inner coil and neck in series
- 5. Neck

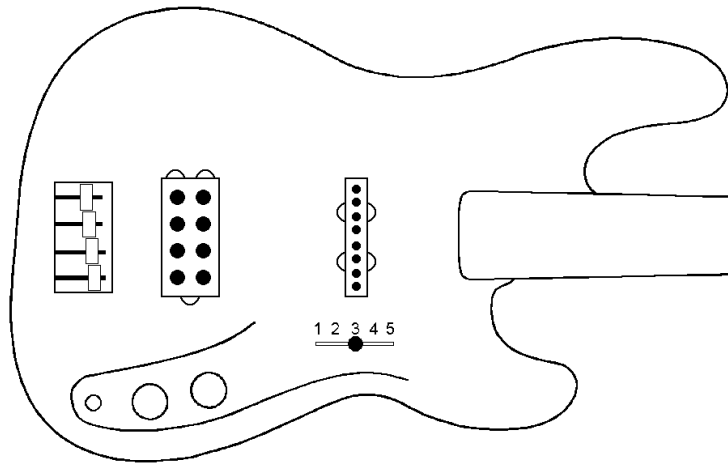
Switching functions



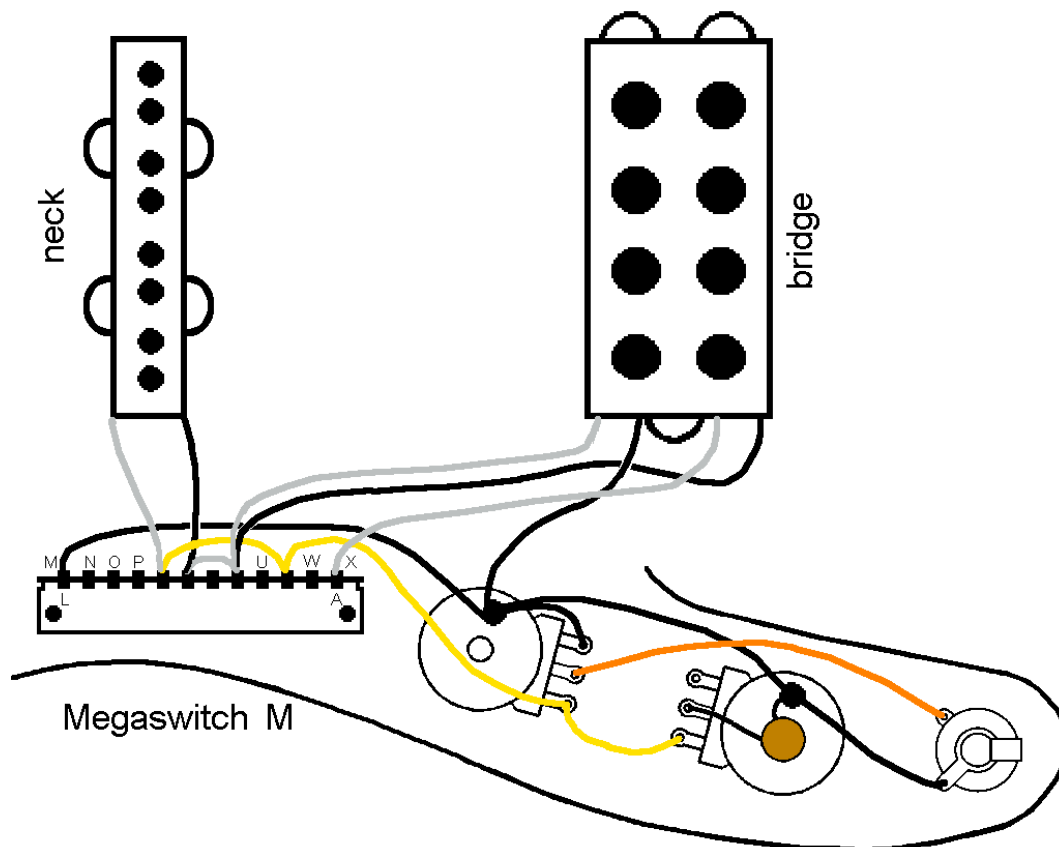
Electrical switching principle



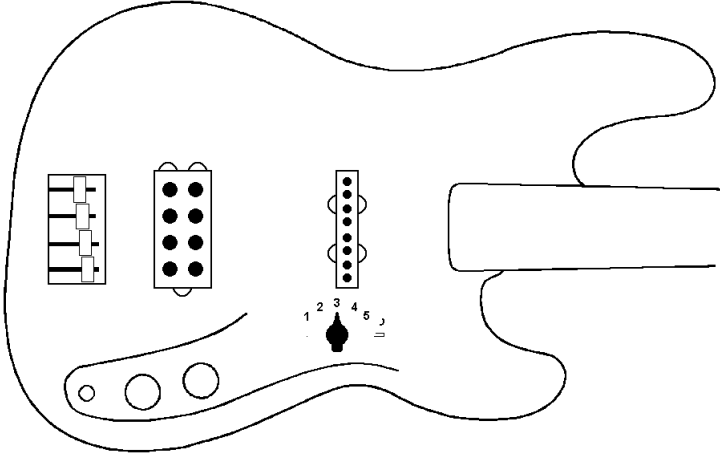
Bass with Megaswitch M rotary switch, two potentiometers



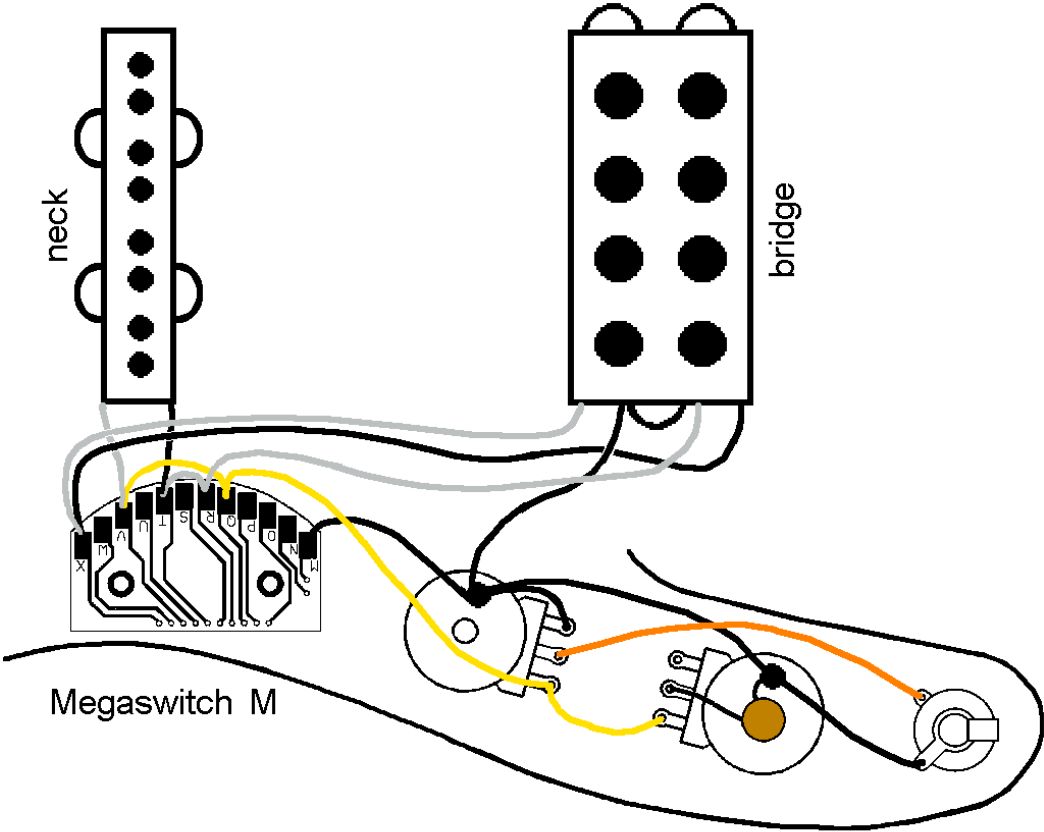
Wiring diagram with Megaswitch M



Bass with Megaswitch rotary switch, two potentiometers



Wiring after installing the rotary switch



Connections:

position

1 bridge humbucker

2 bridge inner coil

3 bridge humbucker and neck in series

4 bridge inner coil and neck in series

5 neck

connections

A ... L-

M mass

N, O, P-

Q, V hot connection neck, volume control right connection and tone control slider

R, T hot connection bridge outer coil and cold connection neck

S, U, W-

X hot connection bar inner coil and cold connection bar outer coil