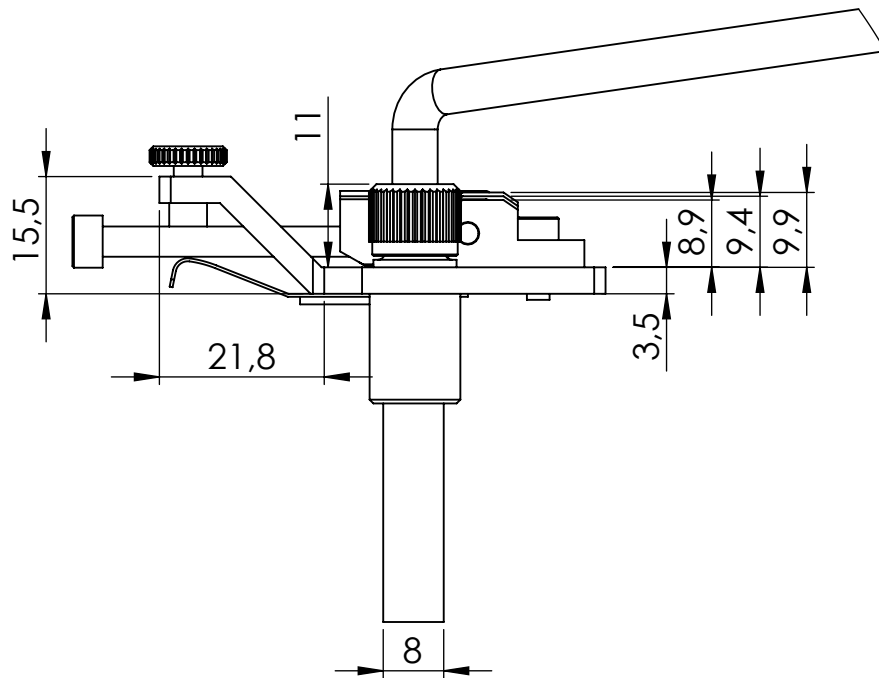


\* mm / Zoll  
\* mm / inch



### Studs & Inserts

