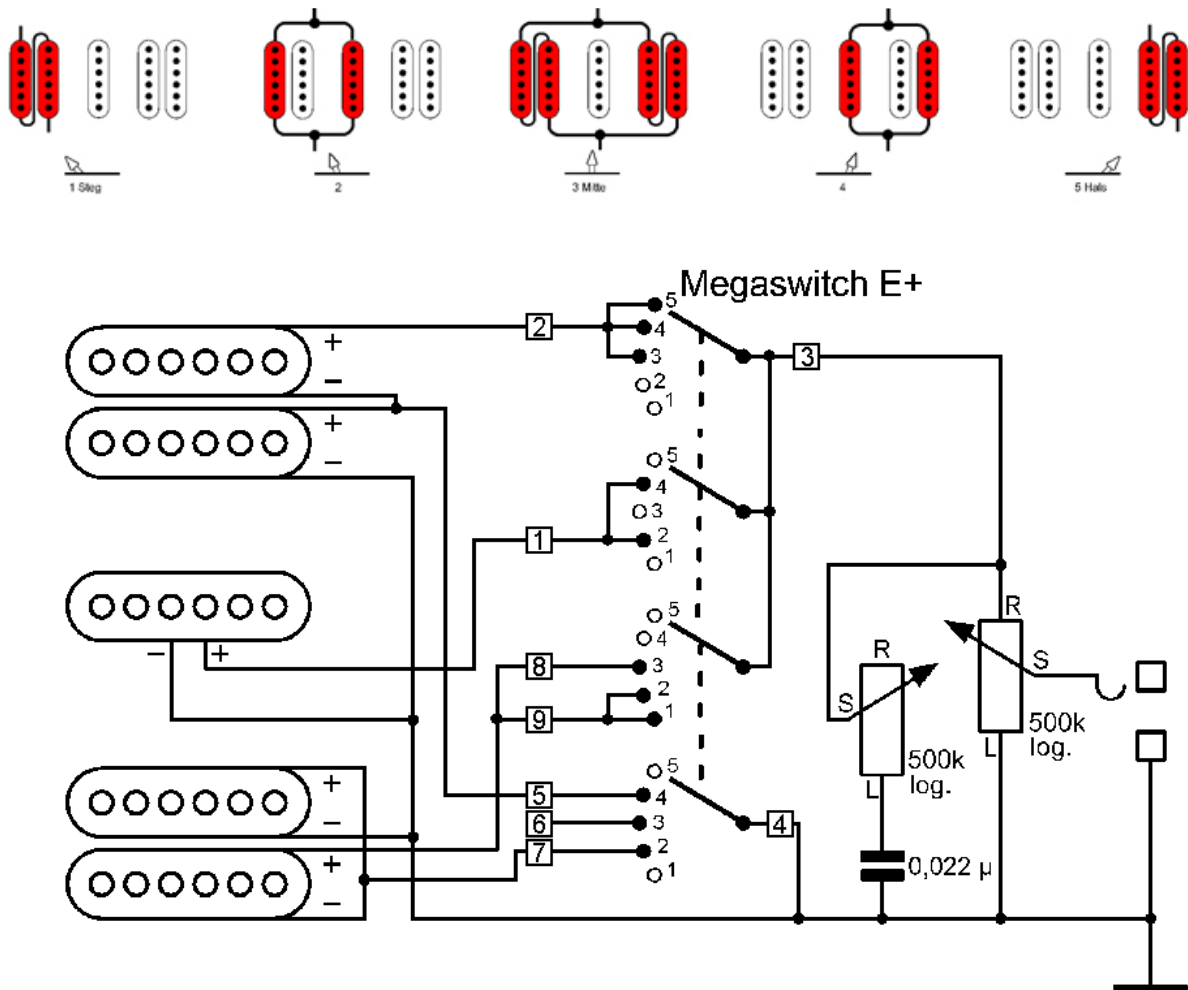


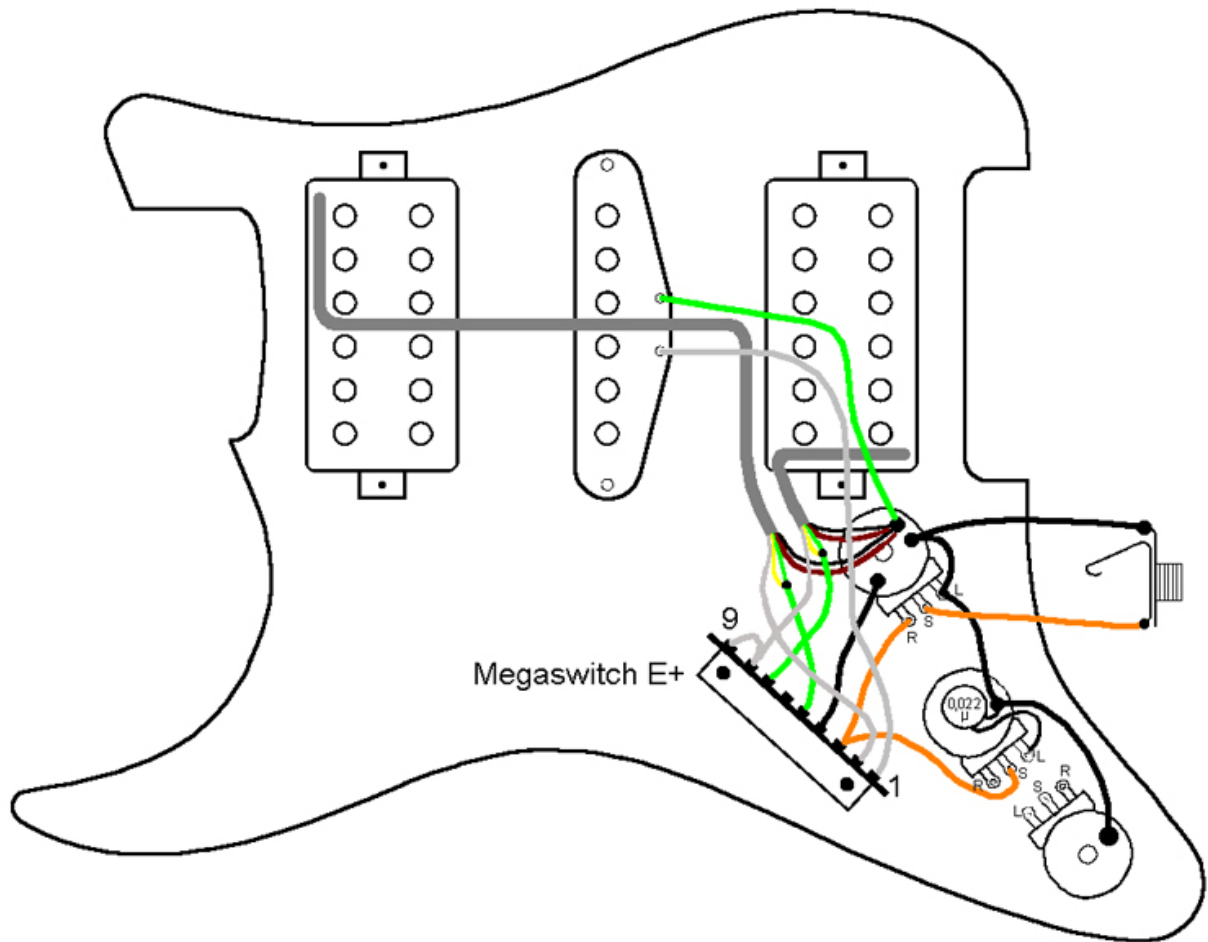
Megaswitch E Plus

You can use Megaswitch E+ for the following switching positions:

HSH5

This is a variation of the HSH4 switching system. The positions 1, 2, 4 and 5 are as usual and in position 3, both Humbuckers are switched parallel. This results in a fuller, louder sound than splitting. A buzz-free sound can be obtained in all positions; the following magnetic polarity is required - NS-S-SN or SN-N-NS. The Megaswitch E+ is ideal for this purpose.





Connections:

Positions

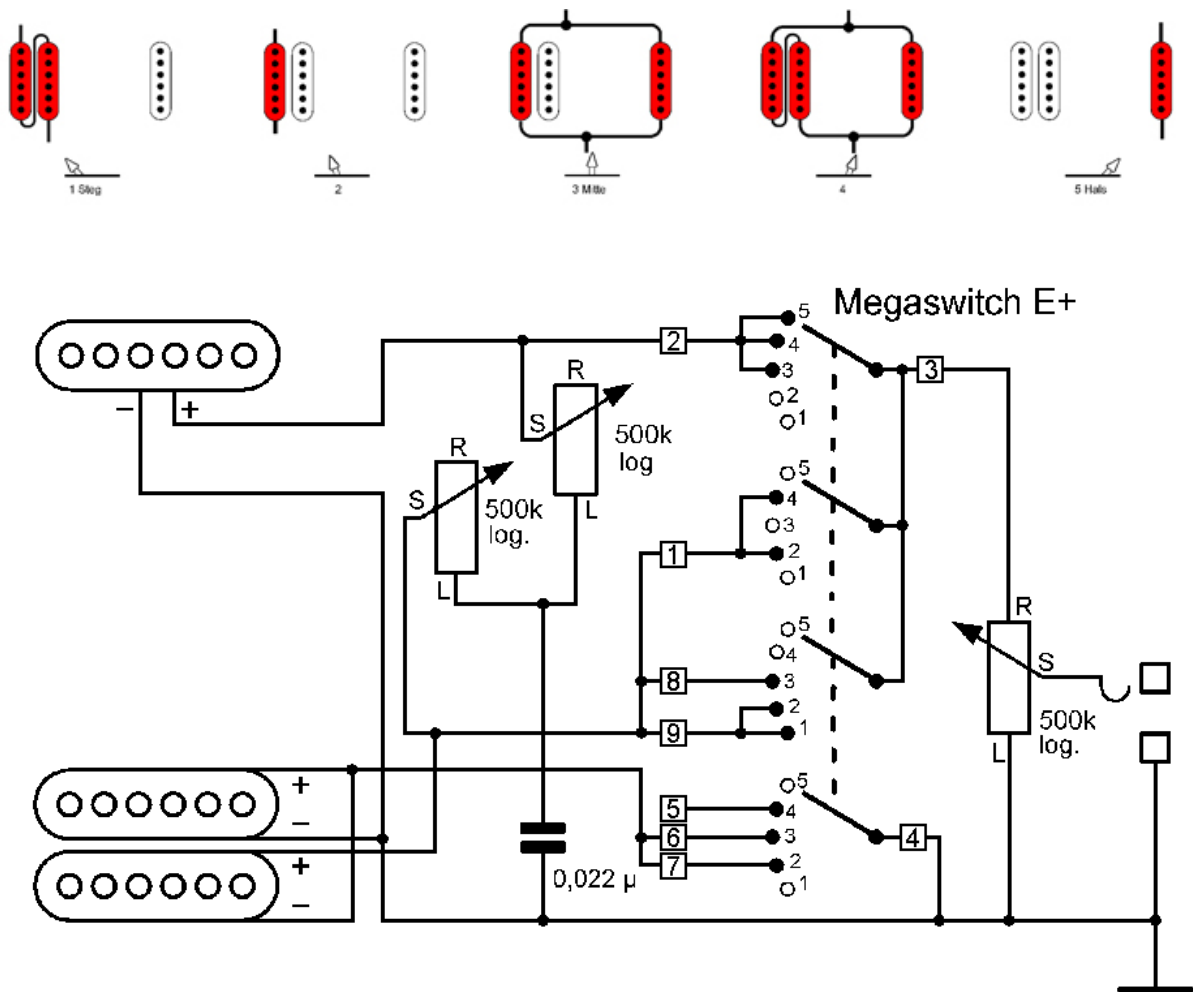
- 1 bridge humbucker
- 2 bridge outer coil and mid parallel
- 3 both humbuckers parallel
- 4 mid and neck outer coil parallel
- 5 neck humbucker

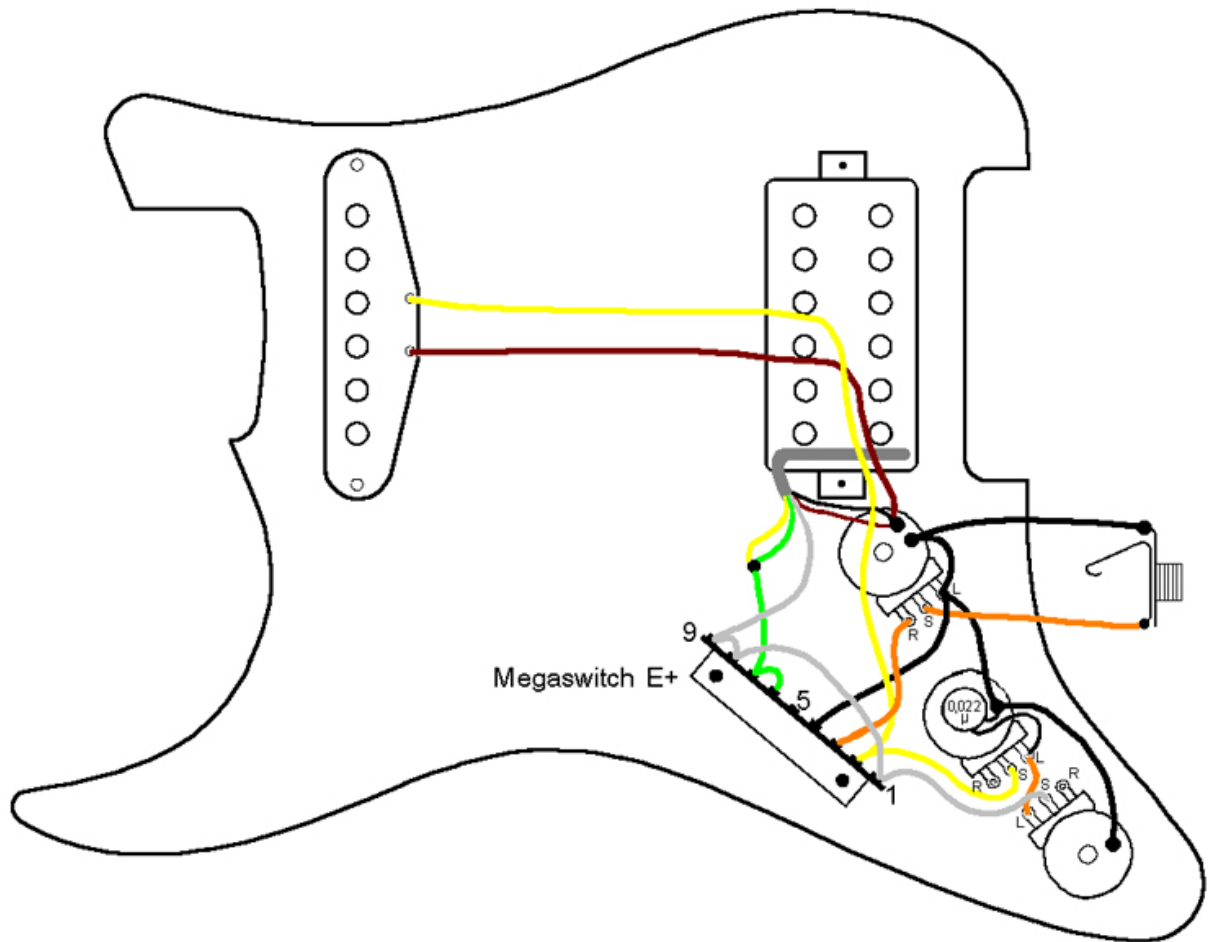
Connections

- 1 mid hot wire
- 2 neck hot wire outer coil
- 3 output
- 4 ground
- 5 neck hot wire inner coil and cold wire outer coil
- 6 -
- 7 bridge cold wire outer coil and hot wire inner coil
- 8 to 9, bridge hot wire outer coil
- 9 to 8, bridge hot wire outer coil
- ground: 4, mid cold wire, both innere humbucker coils cold wires

HS2

This switching system is for guitars with a Humbucker on the bridge and a single coil on the neck. It allows the humbucker to be split while the outer coil remains active. The inner one is short-circuited. If a buzz-free sound is desired in position 3, the magnetic polarity must be NS-S or SN-N. A Megaswitch E+ is required here.





Connections:

Positions

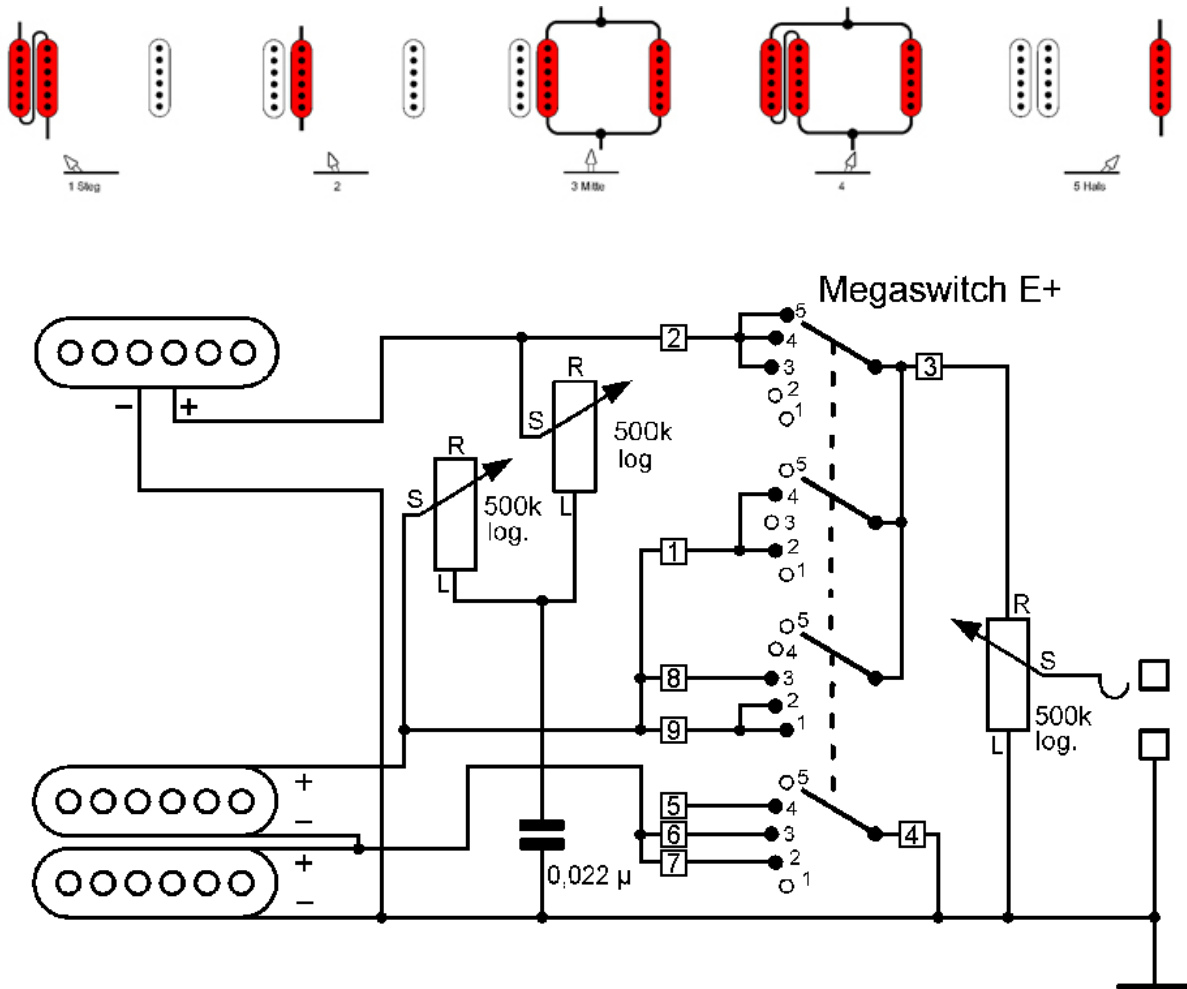
- 1 bridge humbucker
- 2 bridge outer coil
- 3 bridge outer coil and neck parallel
- 4 bridge humbucker and neck parallel
- 5 neck

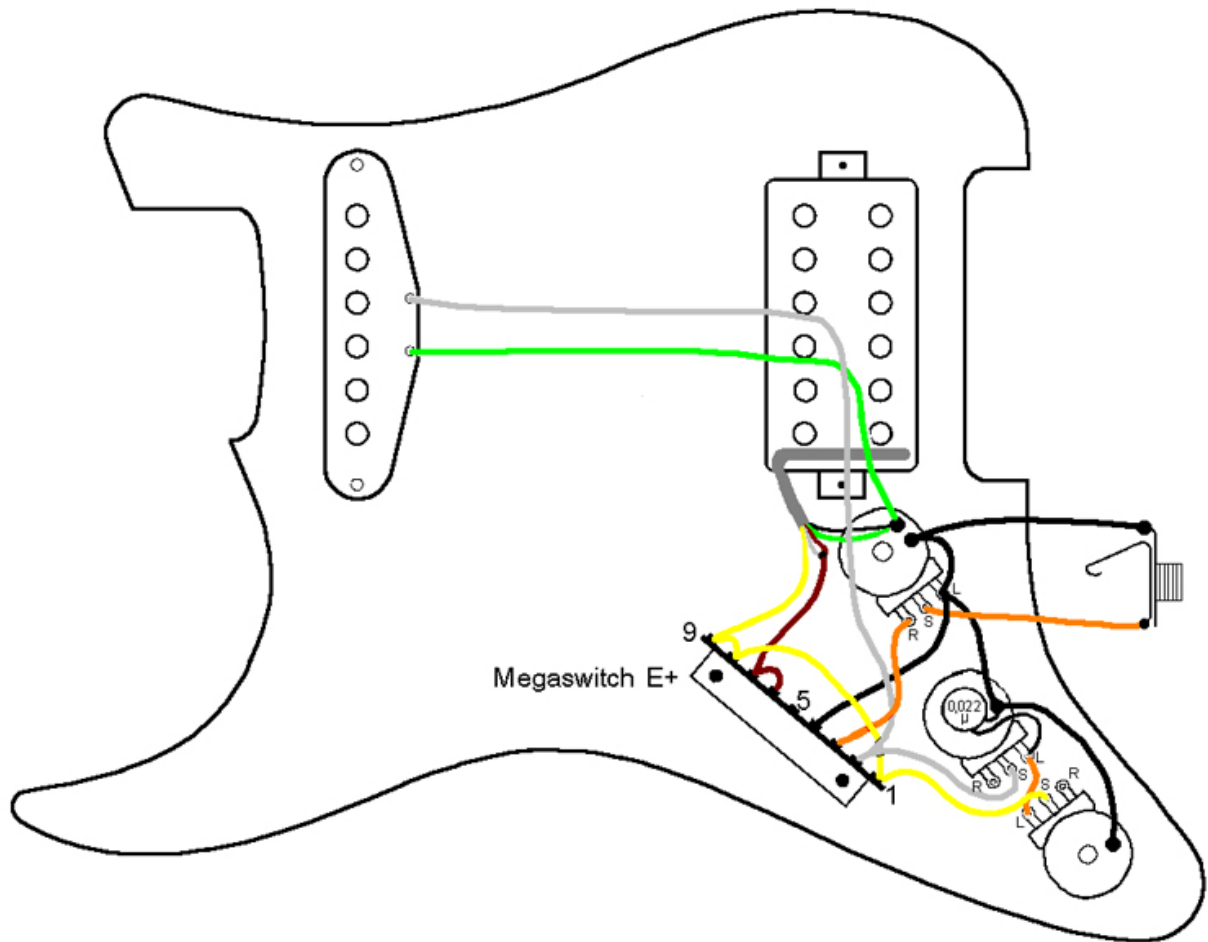
Connections

- 1 to 8 and 9, bridge hot wire outer coil
- 2 neck hot wire
- 3 output
- 4 ground
- 5 -
- 6 to 7, bridge hot wire inner coil
- 7 to 6, bridge hot wire inner coil
- 8 to 1 and 9, bridge hot wire outer coil
- 9 to 1 and 8, bridge hot wire outer coil
- ground: 4, bridge cold wire inner coil, neck cold wire

HS3

This switching system is for guitars with a Humbucker on the bridge and a single coil on the neck and allows the Humbucker to be split while the inner coil remains active. The outer coil is short-circuited. When a buzz-free signal is required in position 3, brummfrei sein soll, the magnetic poliarität must be either NS-N or SN-S. A Megswitch E+ is required here.





Connections:

Positions

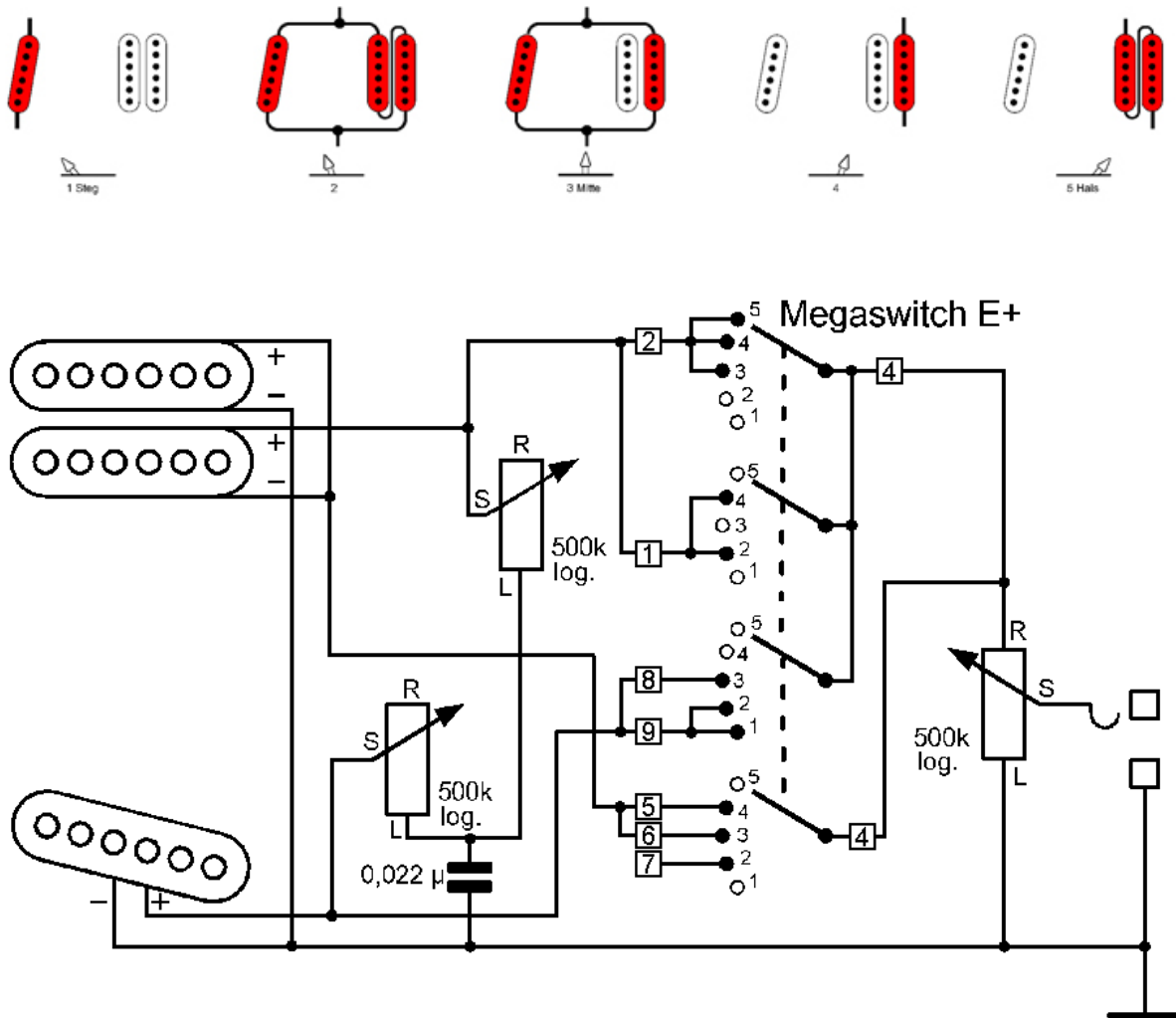
- 1 bridge humbucker
- 2 bridge inner coil
- 3 bridge inner coil and neck parallel
- 4 bridge humbucker and neck parallel
- 5 neck

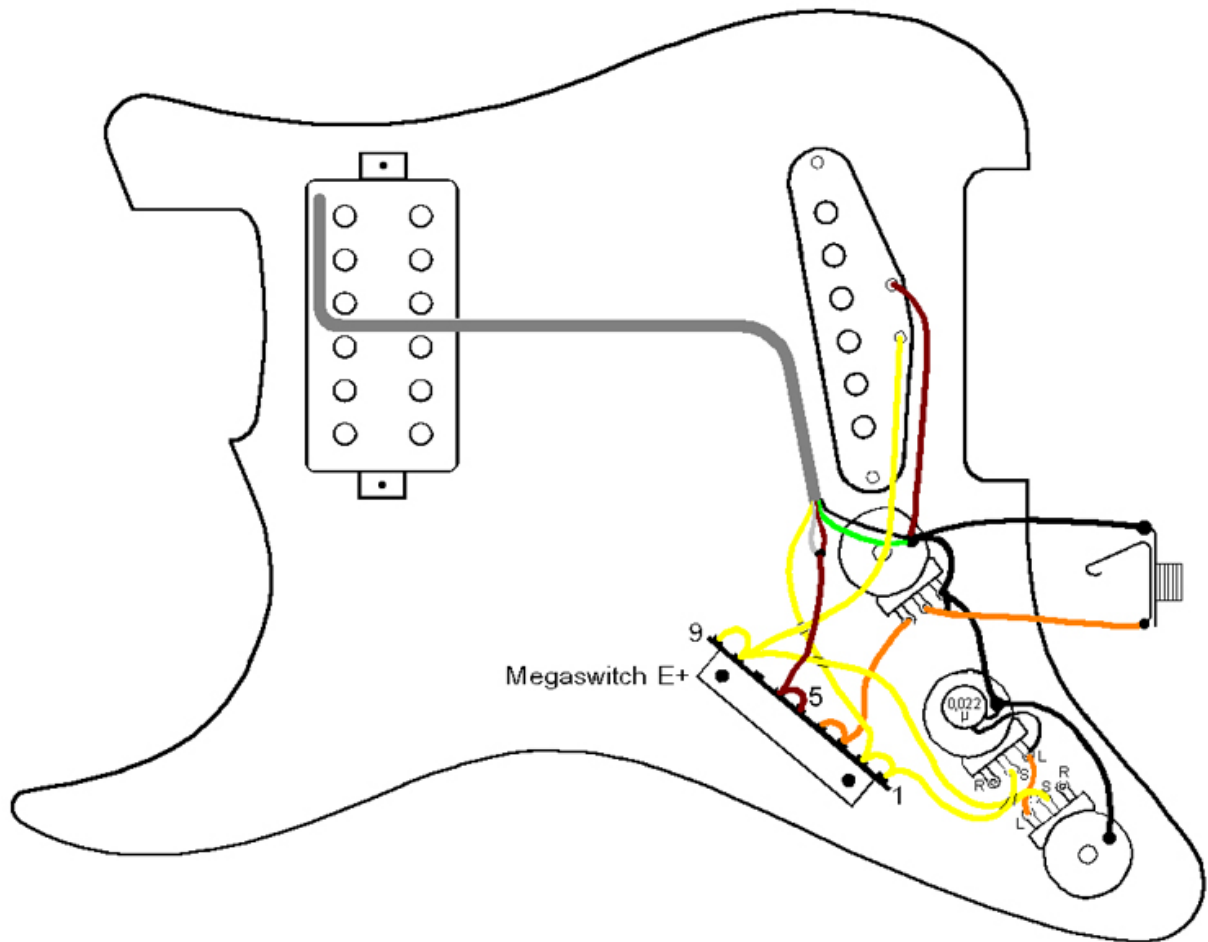
Connections

- 1 to 8 and 9, bridge hot wire inner coil
- 2 neck hot wire
- 3 output
- 4 ground
- 5 -
- 6 to 7, bridge hot wire outer coil
- 7 to 6, bridge hot wire outer coil
- 8 to 1 and 9, bridge hot wire inner coil
- 9 to 1 and 8, bridge hot wire inner coil
- ground: 4, bridge cold wire outer coil, neck cold wire

SH2

This switching system is for guitars with a single coil on the bridge and a Humbucker on the neck. The Humbucker can be split while the outer coil remains active. The inner coil is short-circuited. The Megaswitch E+ is ideal for this purpose. Position 3 is buzz-free when the magnetic polarity is configured as follows: S-SN or N-NS.





Connections:

Positions

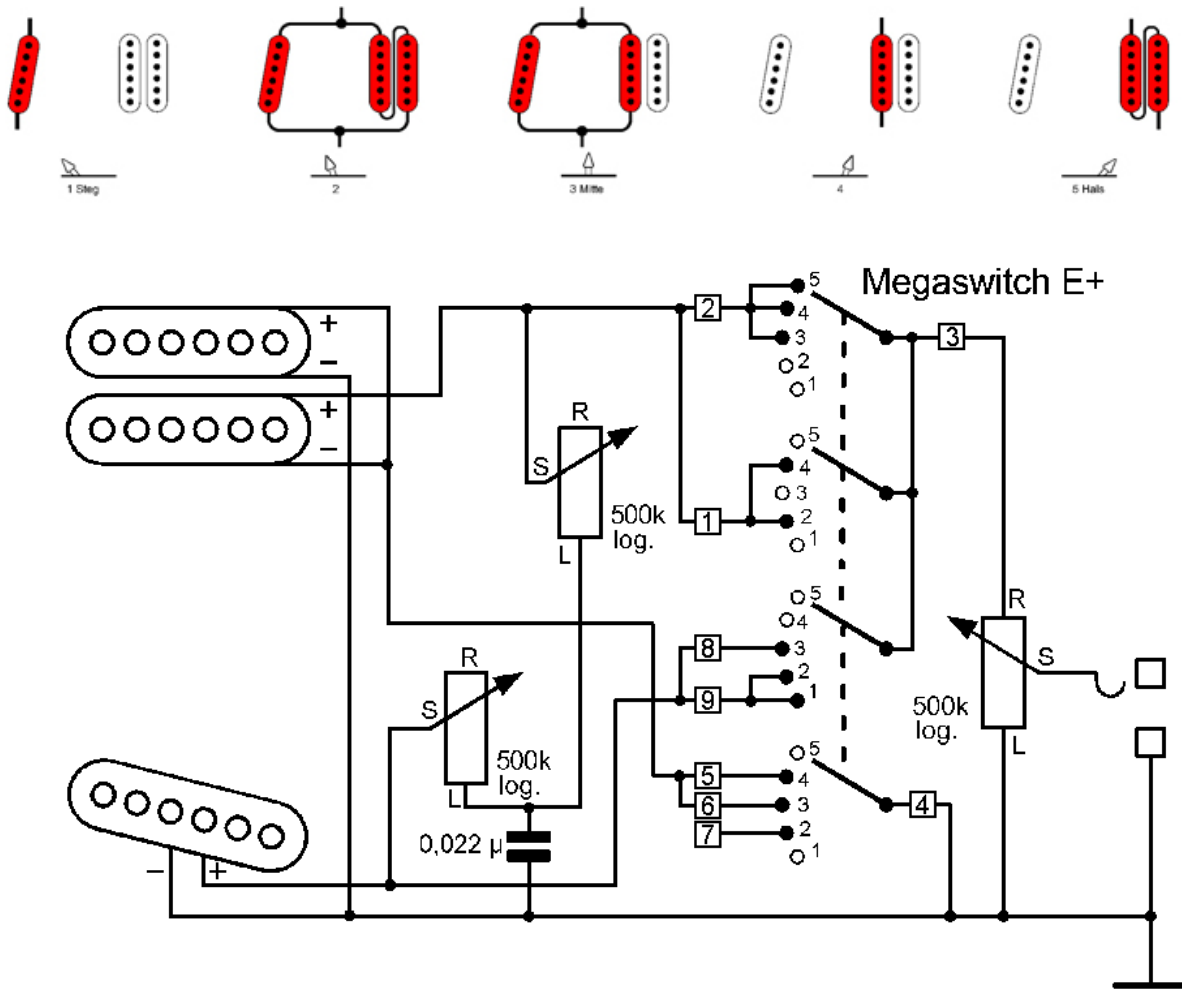
- 1 bridge
- 2 bridge and neck humbucker parallel
- 3 bridge and neck outer coil parallel
- 4 neck outer coil
- 5 neck humbucker

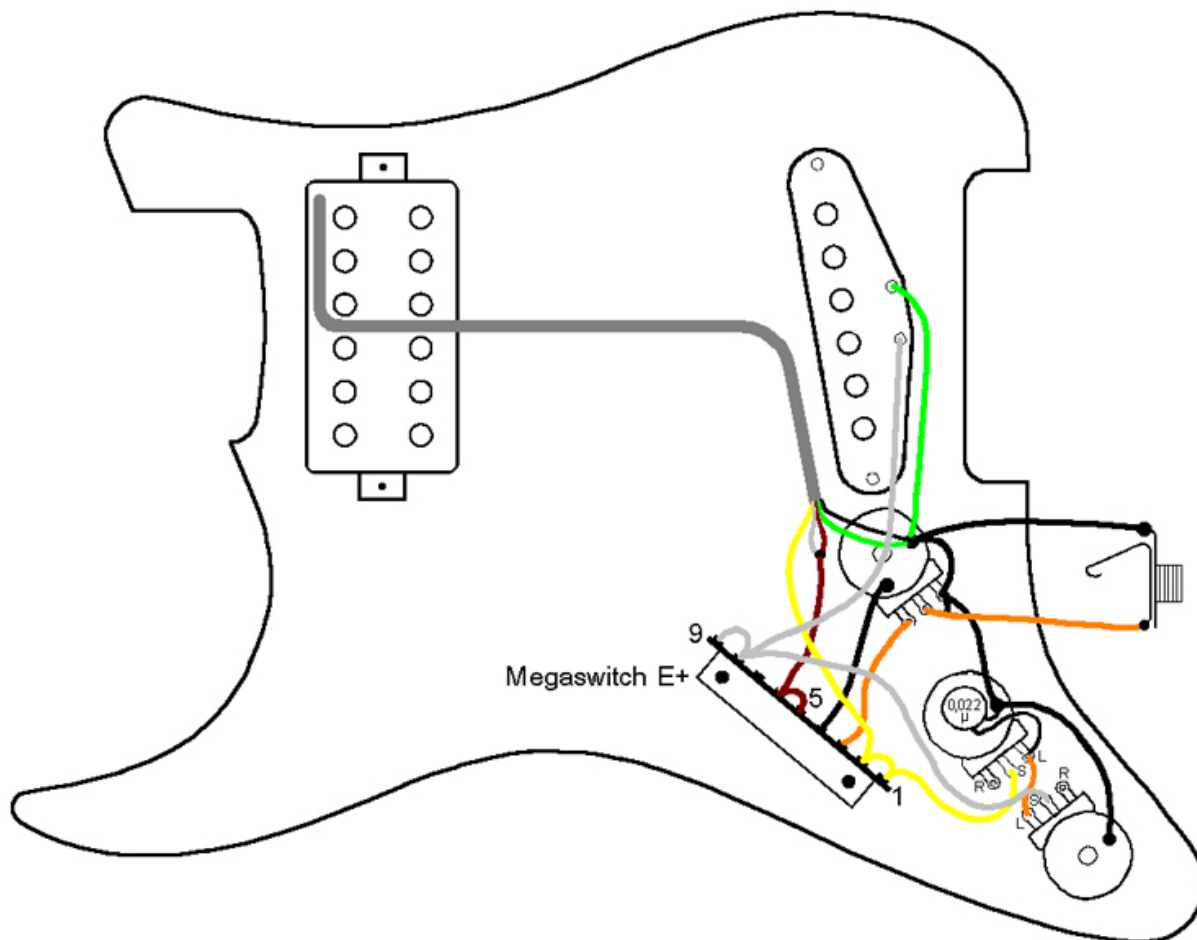
Connections

- 1 to 2, neck hot wire inner coil
- 2 to 1, neck hot wire inner coil
- 3 to 4, output
- 4 to 3, output
- 5 to 6, neck cold wire inner coil and hot wire outer coil
- 6 to 5, neck cold wire inner coil and hot wire outer coil
- 7 -
- 8 to 9, bridge hot wire
- 9 to 8, bridge hot wire
- ground: neck cold wire outer coil, bridge cold wire

SH3

This switching system is for guitars with a single coil on the bridge and a Humbucker on the neck. The Humbucker can be split while the inner coil remains active. The outer coil is short-circuited. The Megaswitch E+ is ideal for this purpose. Position 3 is buzz-free when the magnetic polarity is configured as follows: N-SN or S-NS.





Connections:

Positions

- 1 bridge
- 2 bridge and neck humbucker parallel
- 3 bridge and neck inner coil parallel
- 4 neck inner coil
- 5 neck humbucker

Connections

- 1 to 2, neck hot wire inner coil
- 2 to 1, neck hot wire inner coil
- 3 output
- 4 ground
- 5 to 6, neck cold wire inner coil and hot wire outer coil
- 6 to 5, neck cold wire inner coil and hot wire outer coil
- 7 -
- 8 to 9, bridge hot wire
- 9 to 8, bridge hot wire
- ground: 4, neck cold wire outer coil, bridge cold wire