

Megaswitch P

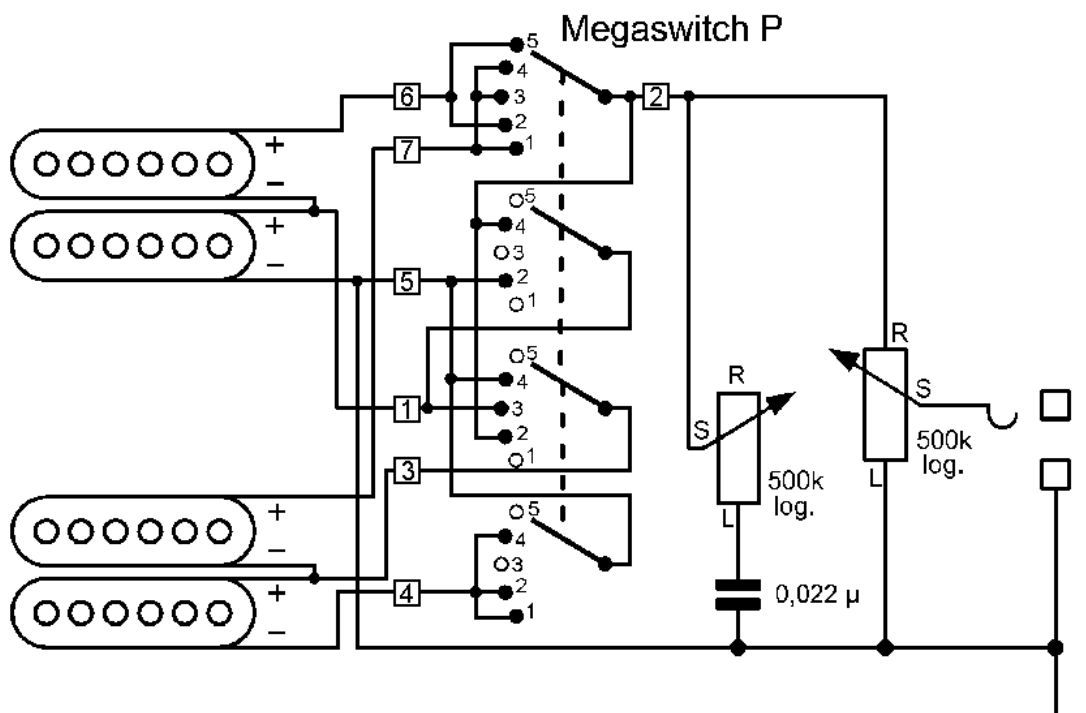
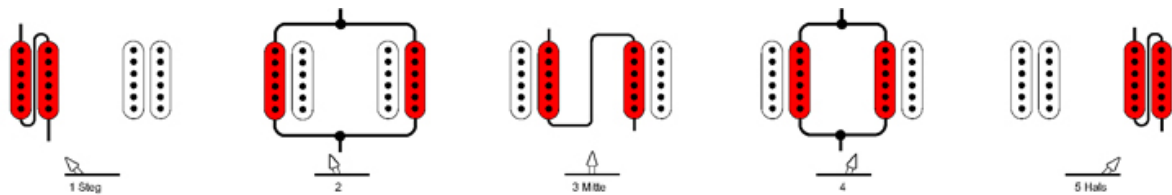
You can use Megaswitch P for the following switching positions:

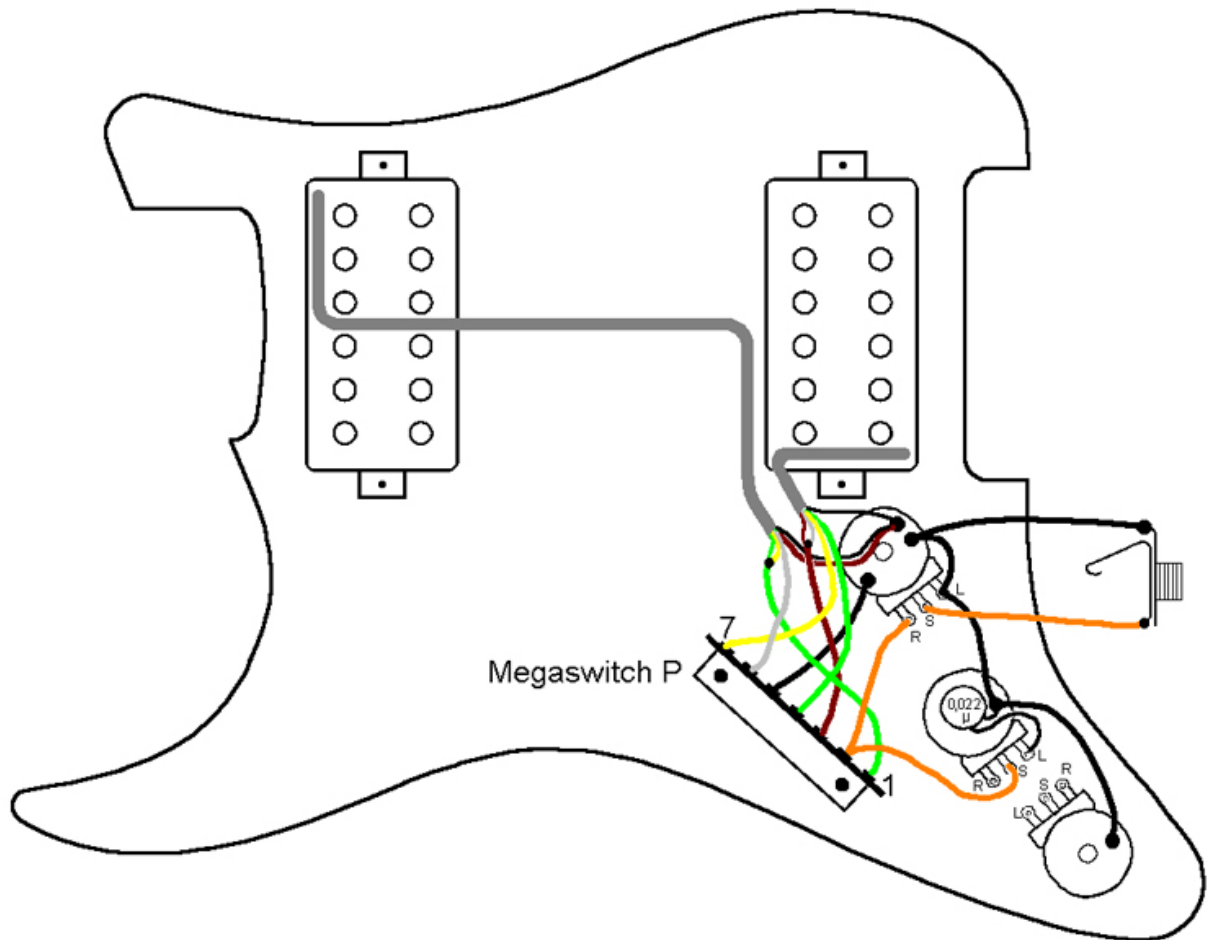
HH9

With this switching type, a combination of coils is obtainable which some PRS guitars produce using a rotary switch:

1. bridge Humbucker
2. outer coils parallel
3. inner coils in series
4. inner coils parallel
5. neck Humbucker

The Megaswitch P was specially developed for this purpose. Whereby all positions are meant to be buzz-free, the magnetic polarity of the coils must be NS-NS or SN-SN. This is the case on PRS guitars; here the neck and bridge pickups are poled differently from a magnetic perspective. In the event that in standard types the screw side should be the outer one and that buzz-free sound is required in all positions, the magnet in one of the two pickups must be turned.





Connections:

Positions

- 1 bridge humbucker
- 2 outer coils parallel
- 3 inner coils in series
- 4 inner coils parallel
- 5 neck humbucker

Connections

- 1 neck hot wire inner coil and cold wire outer coil
- 2 output
- 3 bridge hot wire outer coil and cold wire inner coil
- 4 bridge cold wire outer coil
- 5 neck cold wire inner coil, ground
- 6 neck hot wire outer coil
- 7 bridge hot wire inner coil
- ground: 5, neck cold wire inner coil